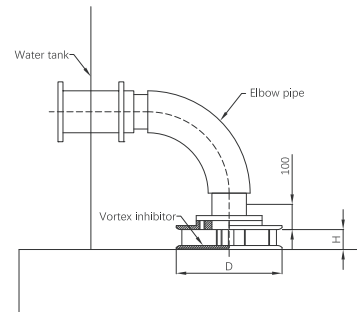


Vortex inhibitor (Anti-vortex plate)

Vortex inhibitor is fitted at the inlet of suction pipe in the suction tank. It reduces vortices and dead water area, minimize the air entrainment into the pump pipeline, so to ensure the pump & tank working at its max efficiency.



- Certificate: ISO
- Standard: EN 12845, NFPA 20 / 22, GB 50974
- Material: SS 304, SS 316, etc.
- Connection: Flanged as ANSI B16.5 Class 150, EN 1092-1 PN16
- Temperature: 0°C to 120°C, water
- W. pressure: 300 psi
- Installation: Up and down, both available
- Surface: Rough SS / red painting



Available size

Size		Dimension (mm)		Min effective level (mm)	Connection	Working pressure (psi)	Ref. No.
Inch	DN	D	H				
2"	50	216	40	100	Class 150 / PN16	300	U5101
2-1/2"	65	220	44	100	Class 150 / PN16	300	U5102
3"	80	220	44	100	Class 150 / PN16	300	U5103
4"	100	423	54	100	Class 150 / PN16	300	U5104
6"	150	623	79	100	Class 150 / PN16	300	U5105
8"	200	827	101	100	Class 150 / PN16	300	U5106
10"	250	1030	130	100	Class 150 / PN16	300	U5107
12"	300	1232	155	100	Class 150 / PN16	300	U5108
14"	350	1232	191	100	Class 150 / PN16	300	U5109
16"	400	1232	191	100	Class 150 / PN16	300	U5110
18"	450	1232	209	100	Class 150 / PN16	300	U5111
20"	500	1232	209	100	Class 150 / PN16	300	U5112

Note:

1. For flanged connection, it is available with ANSI B16.1 Class 125 / 250, B16.42 Class 150 / 300, EN 1092-2 PN10 / PN16 / PN25, etc.
2. Other size could be supplied as customized.