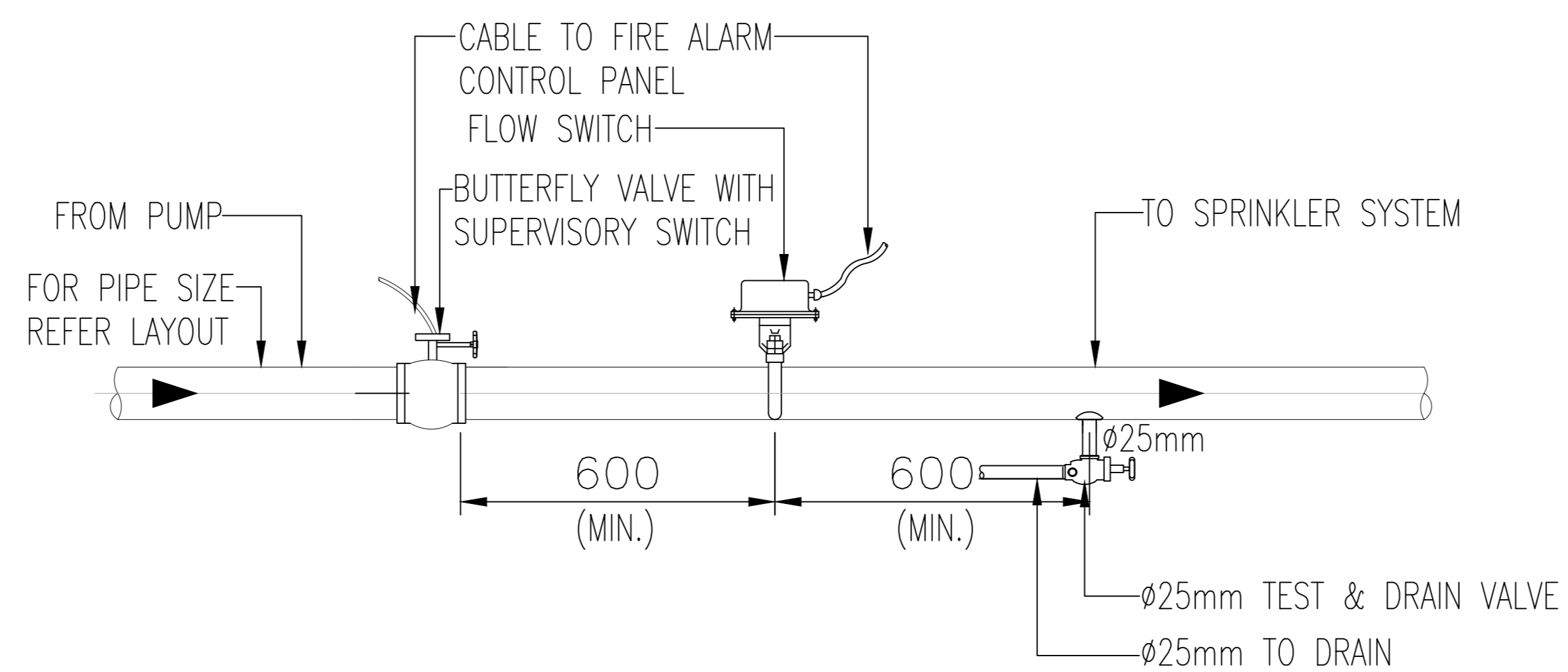
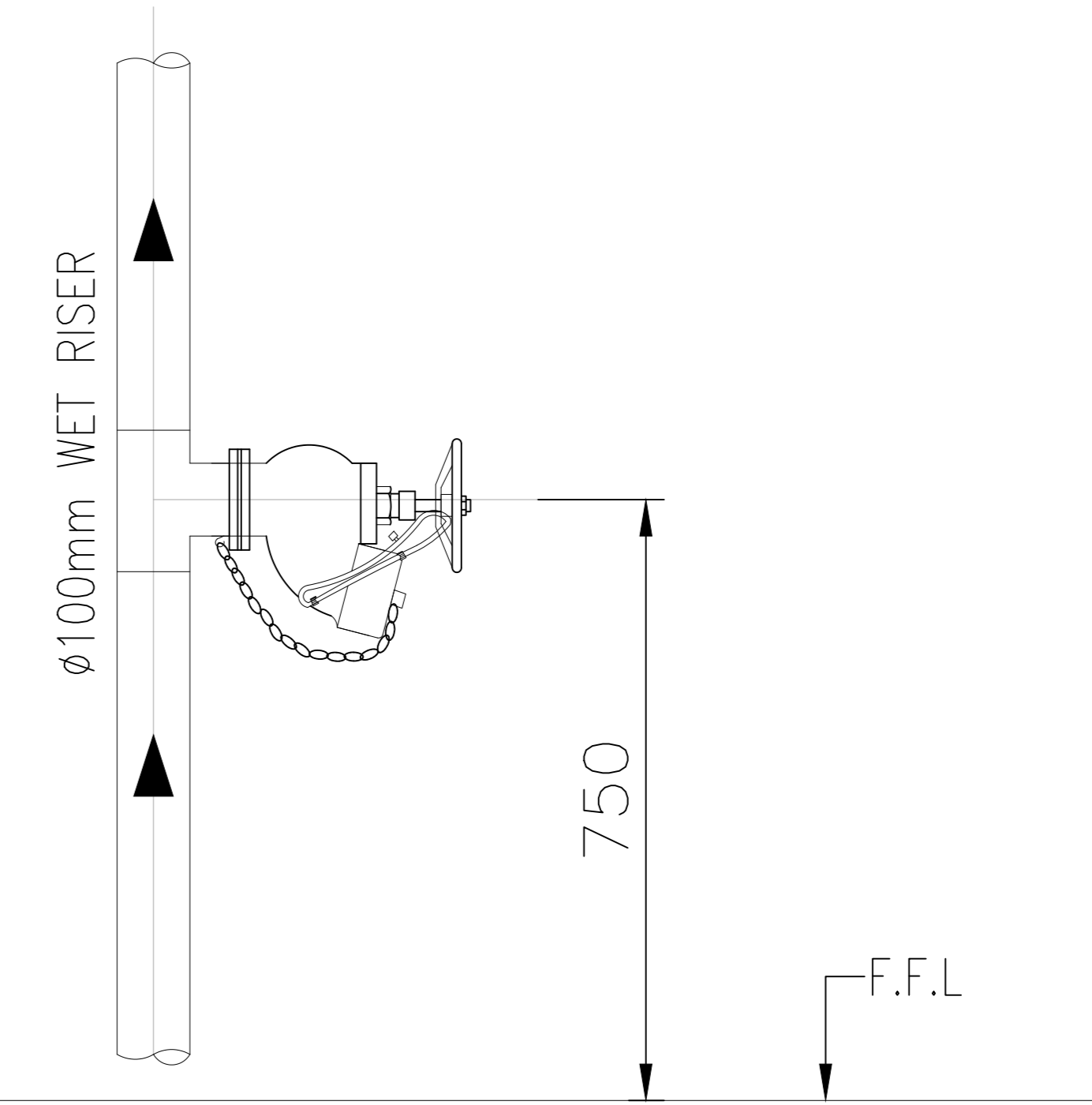


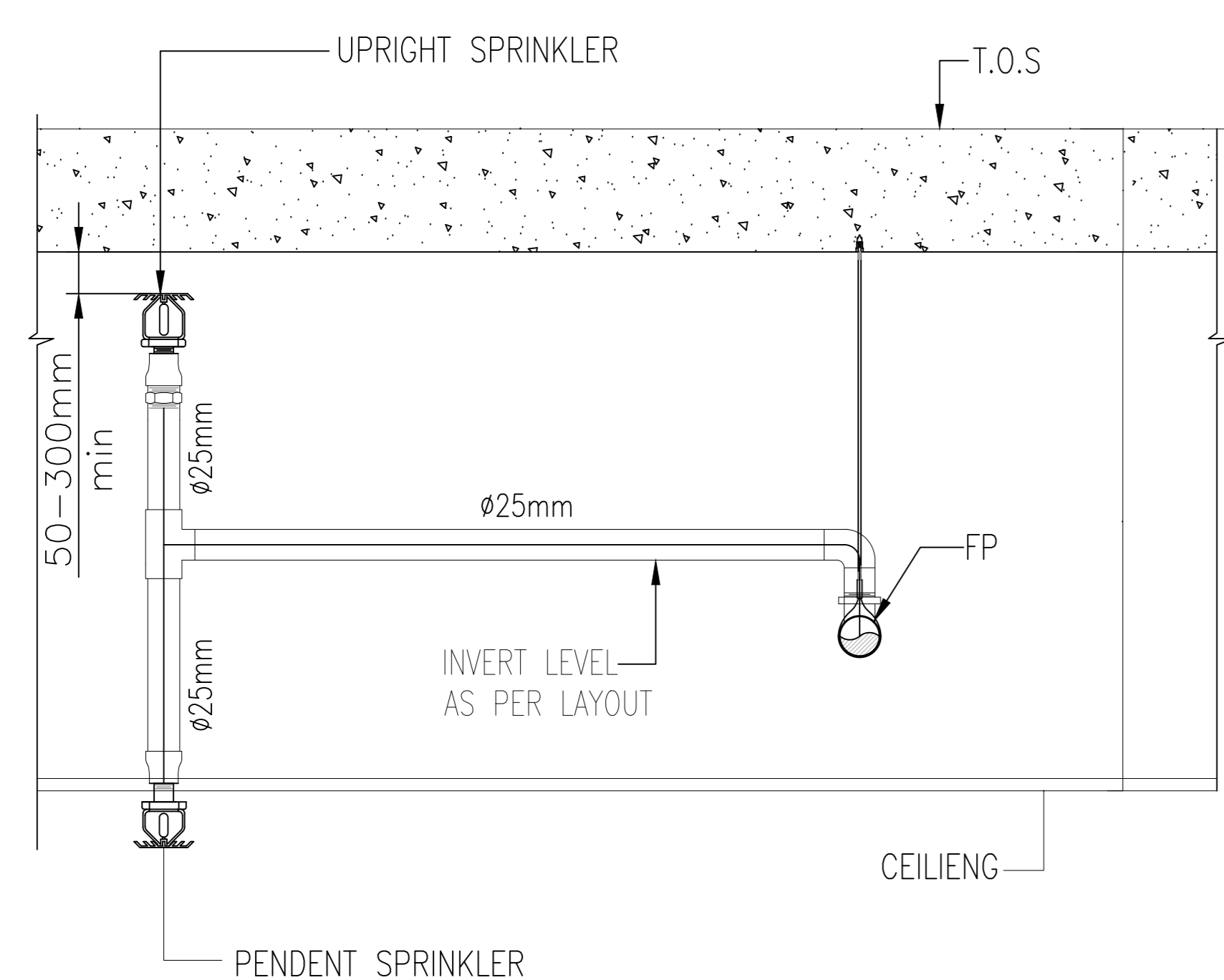
DETAIL-'X'
TYPICAL INSTALLATION OF WALL MOUNTED FIRE EXTINGUISHER IN ELECT. ROOM



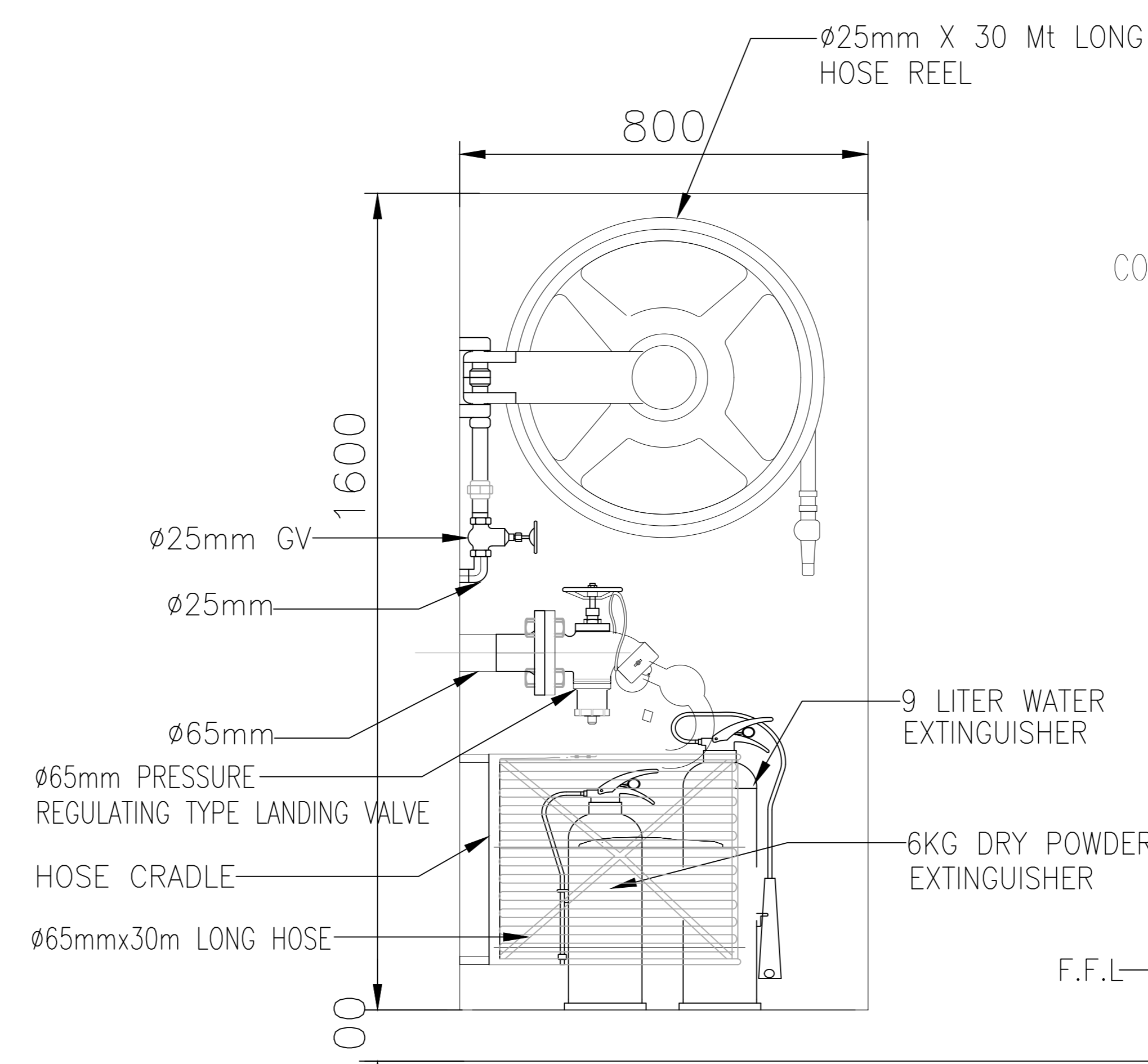
TYPICAL FLOOR CONTROL STATION



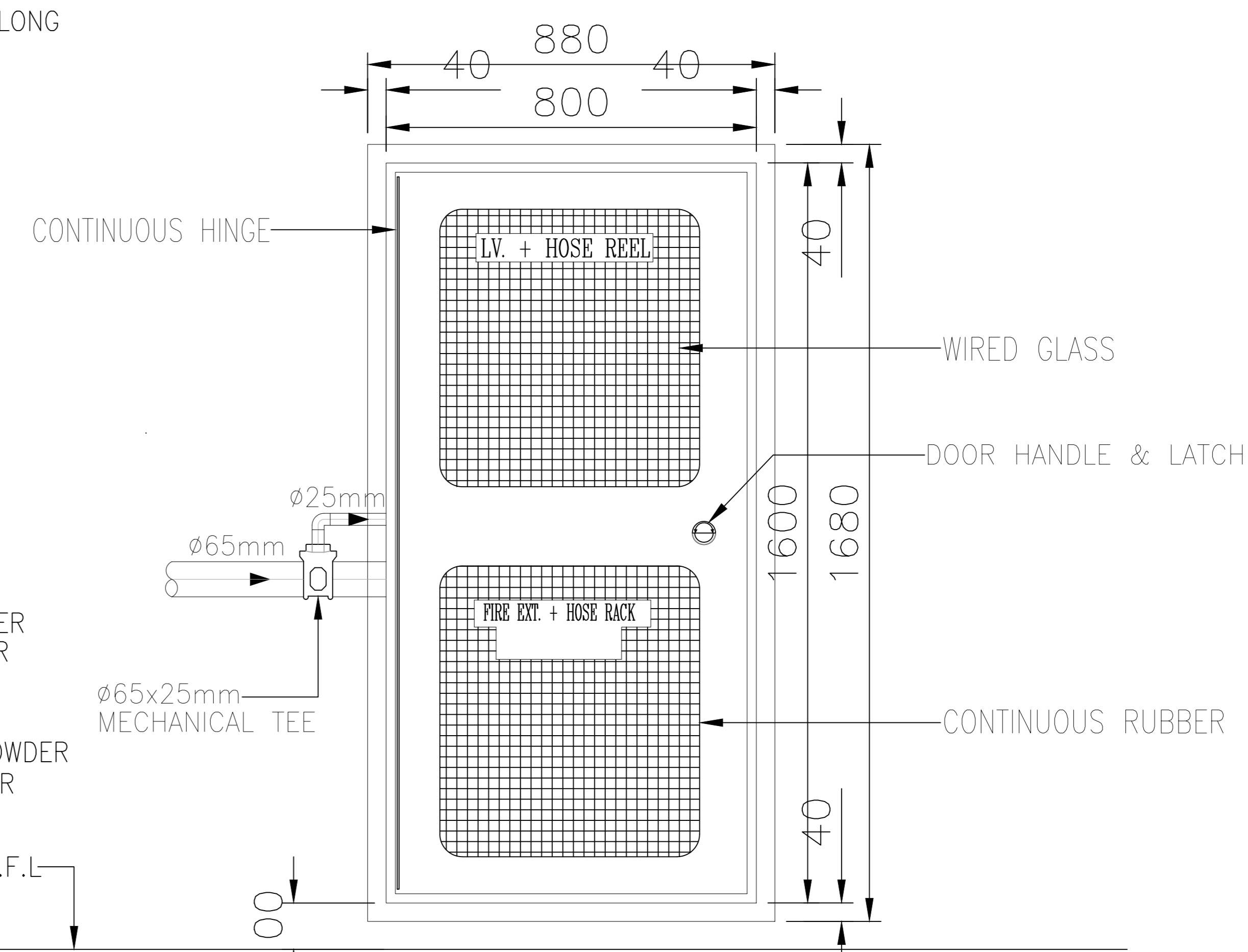
TYPICAL INSTALLATION DETAIL OF LANDING VALVE



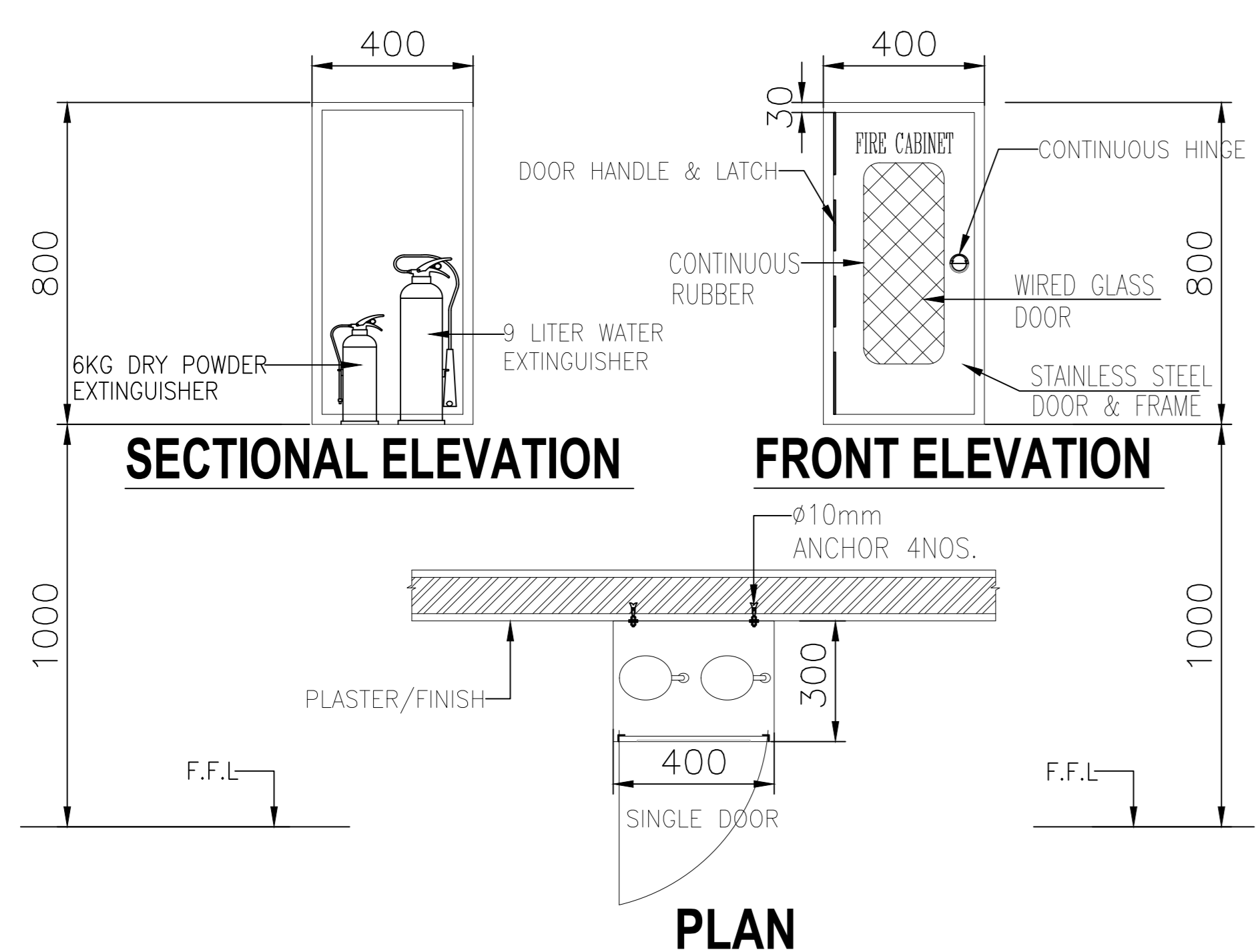
TYPICAL INSTALLATION DETAIL OF PENDENT CONCEALED & UPRIGHT SPRINKLER HEADS



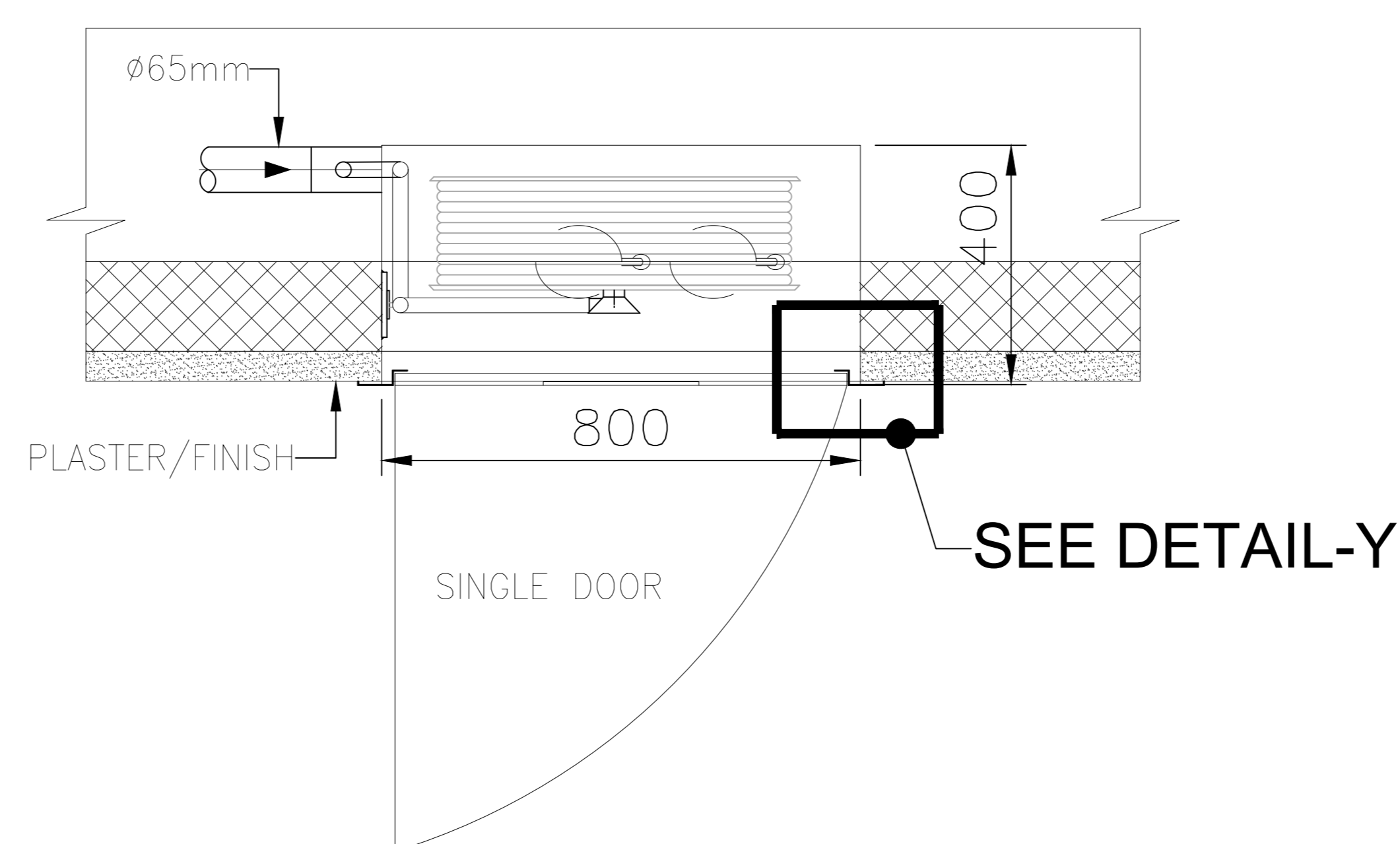
SECTIONAL ELEVATION



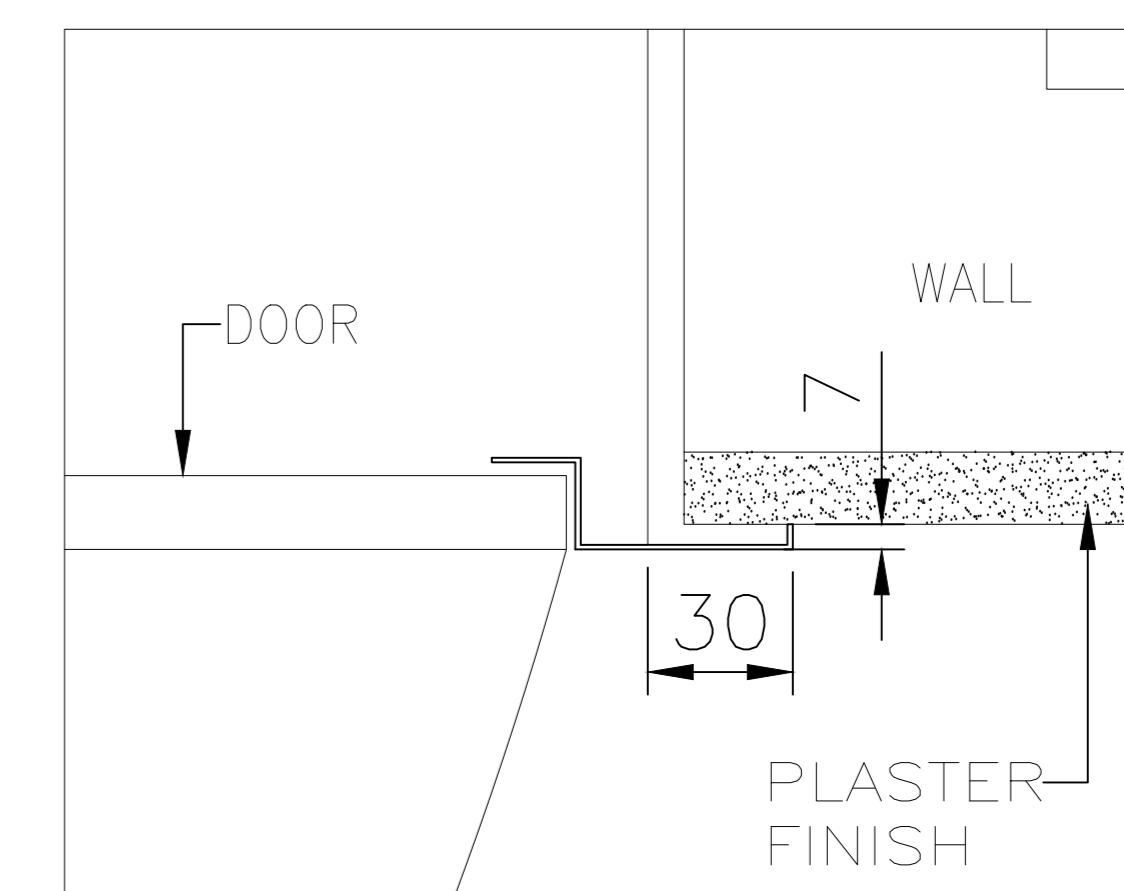
FRONT ELEVATION



FC-3 | 80x40x30cm Fire Cabinet with 2nos. of Fire Extinguisher (6kg ABC Dry Powder & 9Lit. H₂O)
TYPICAL INSTALLATION DETAIL OF FIRE EXTINGUISHER CABINET



FC-2 | 160x80x40cm Fire Cabinet with 25mm. 30mt Long Hose Reel, 40mm-30mt. Long Canvas Hose With 65mm.X40mm. Quick Coupling, Nozzle Valve and 2nos. Fire Extinguisher. Nozzle Valve; 65mm. press. Regulating Landing Valve,
TYPICAL INSTALLATION DETAIL OF FULLY RECESSED CABINET WITH PRESSURE REGULATING TYPE LANDING VALVE & HOSE REEL



DETAIL-Y
 SCALE-1:5