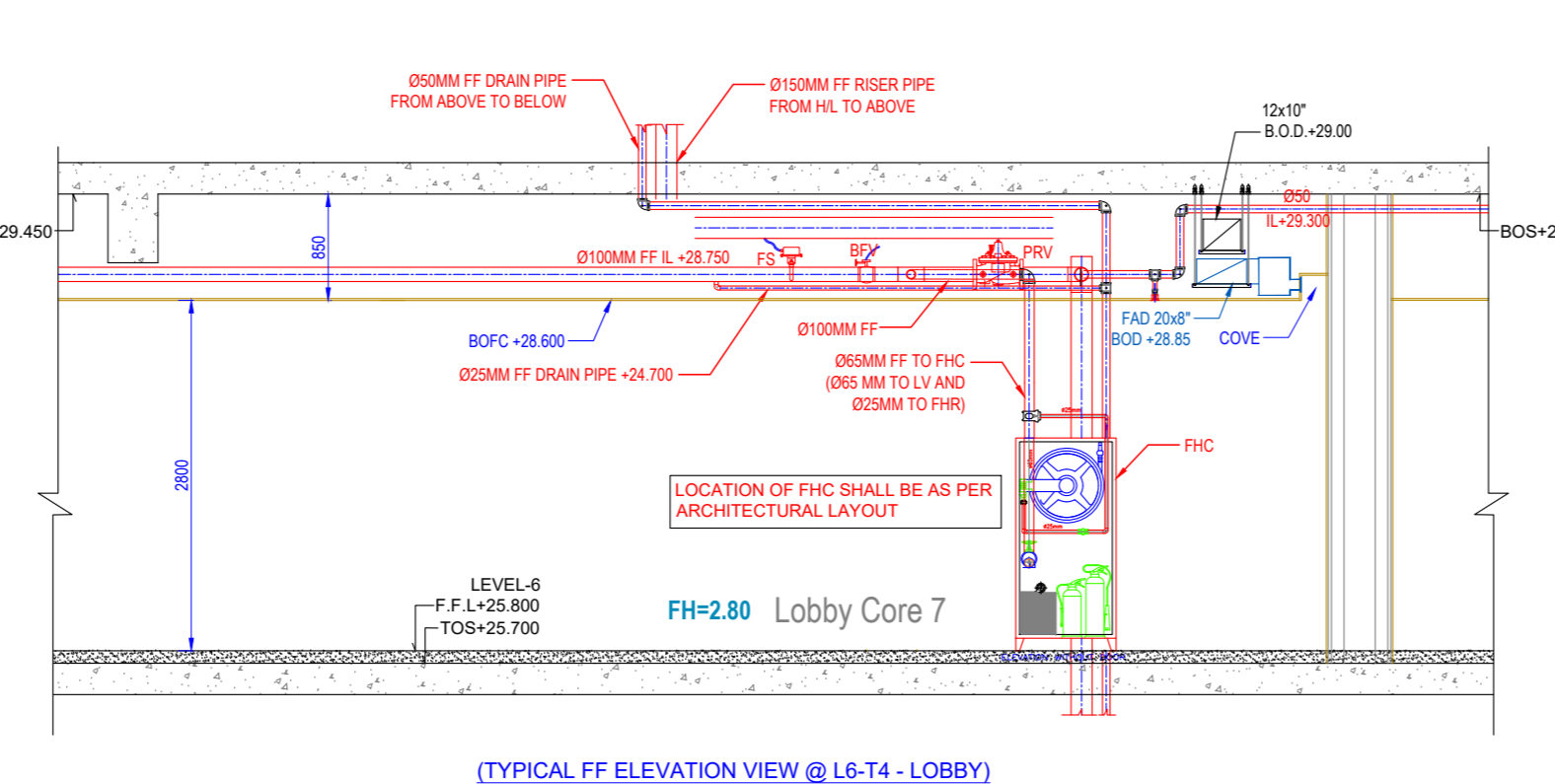
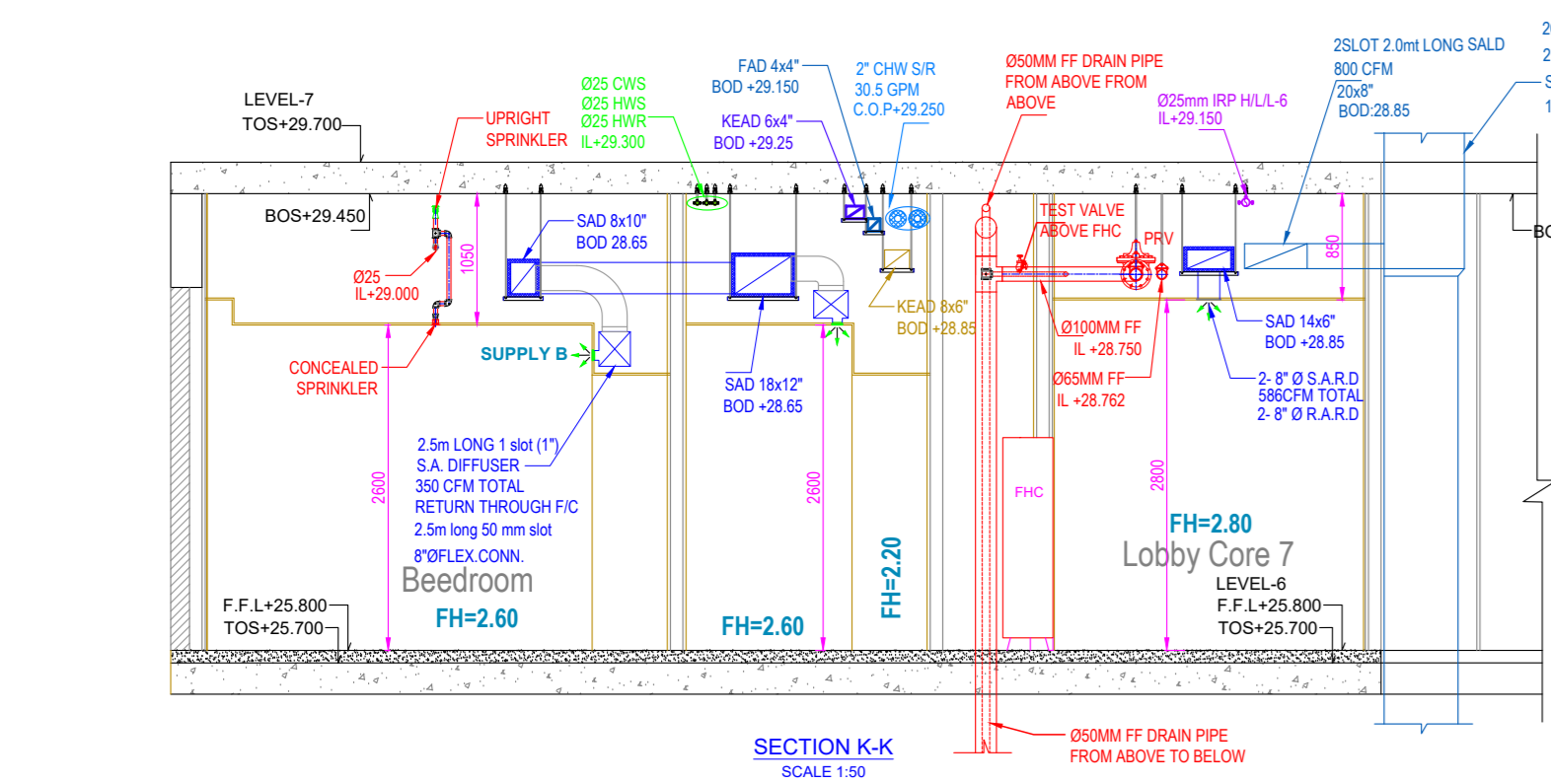
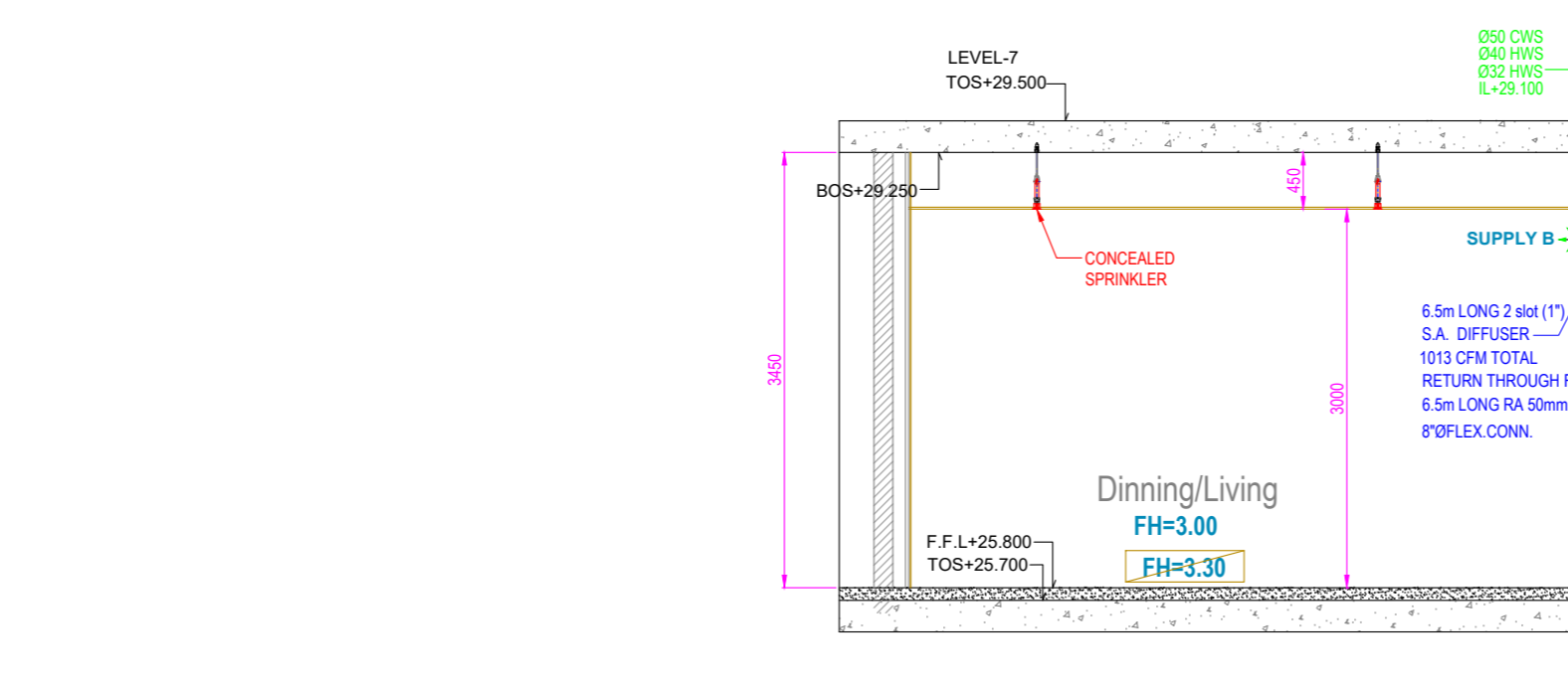
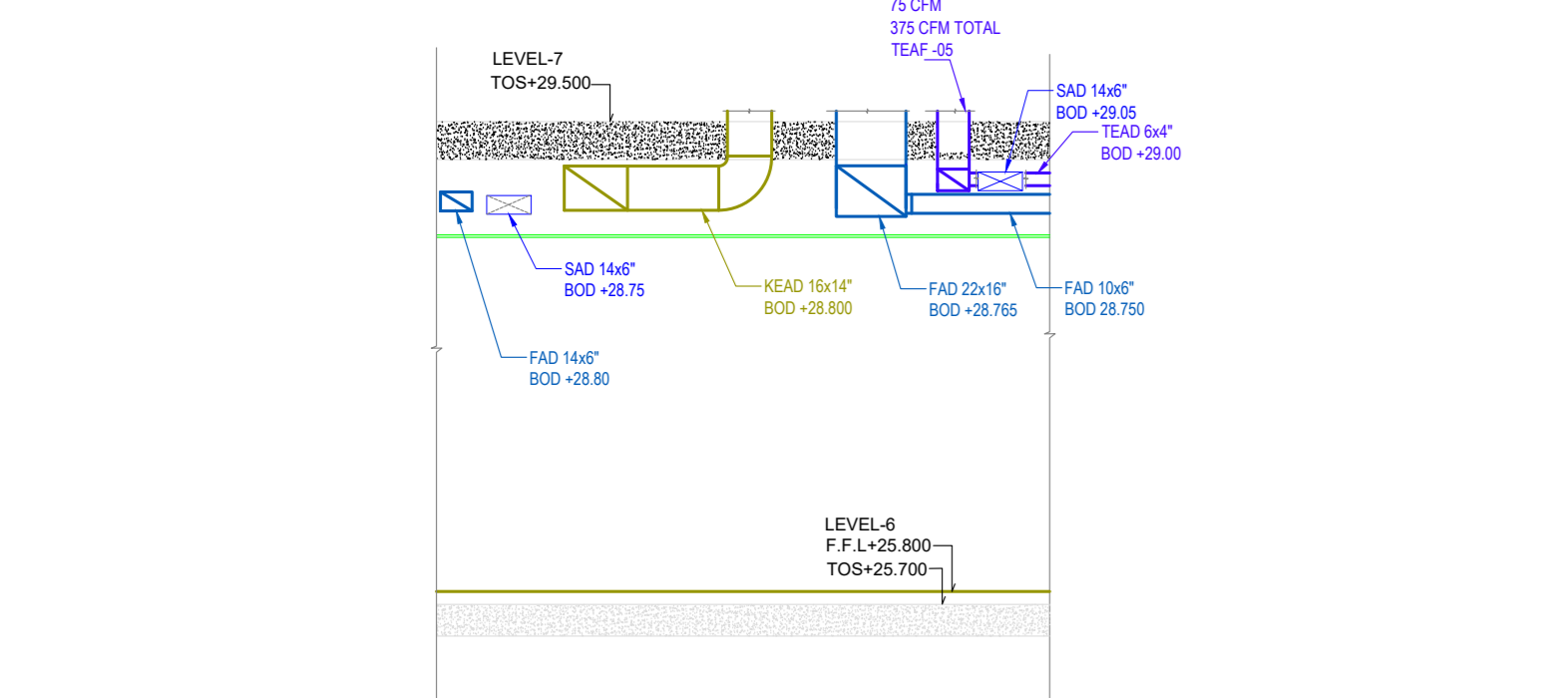
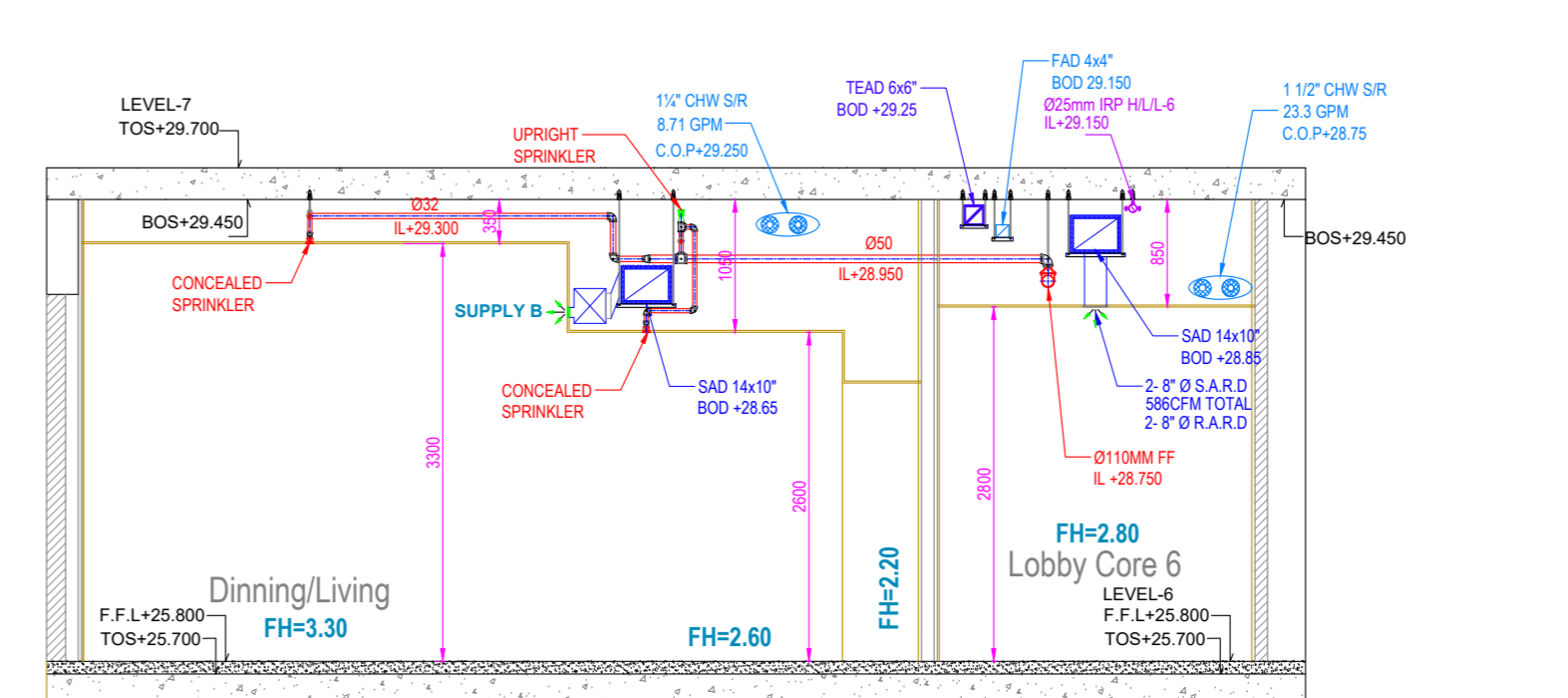
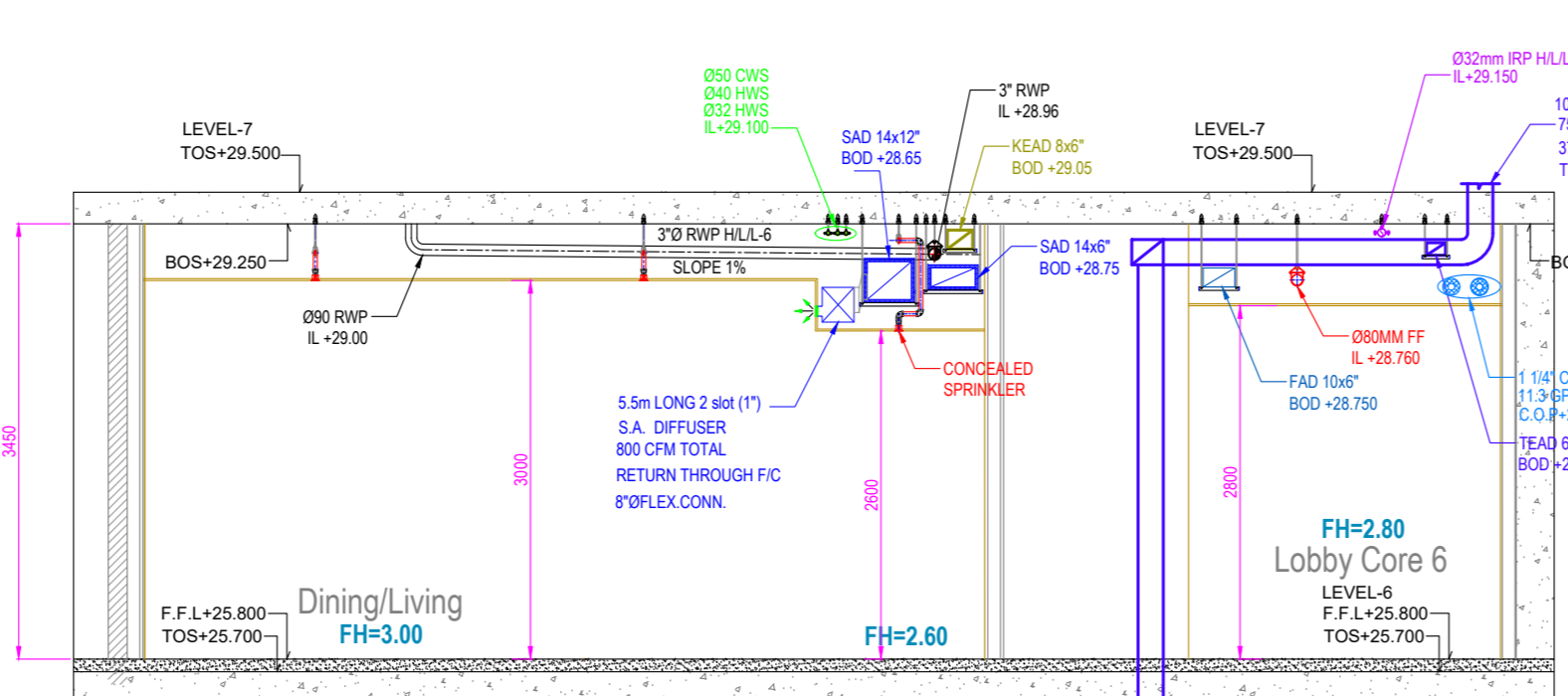
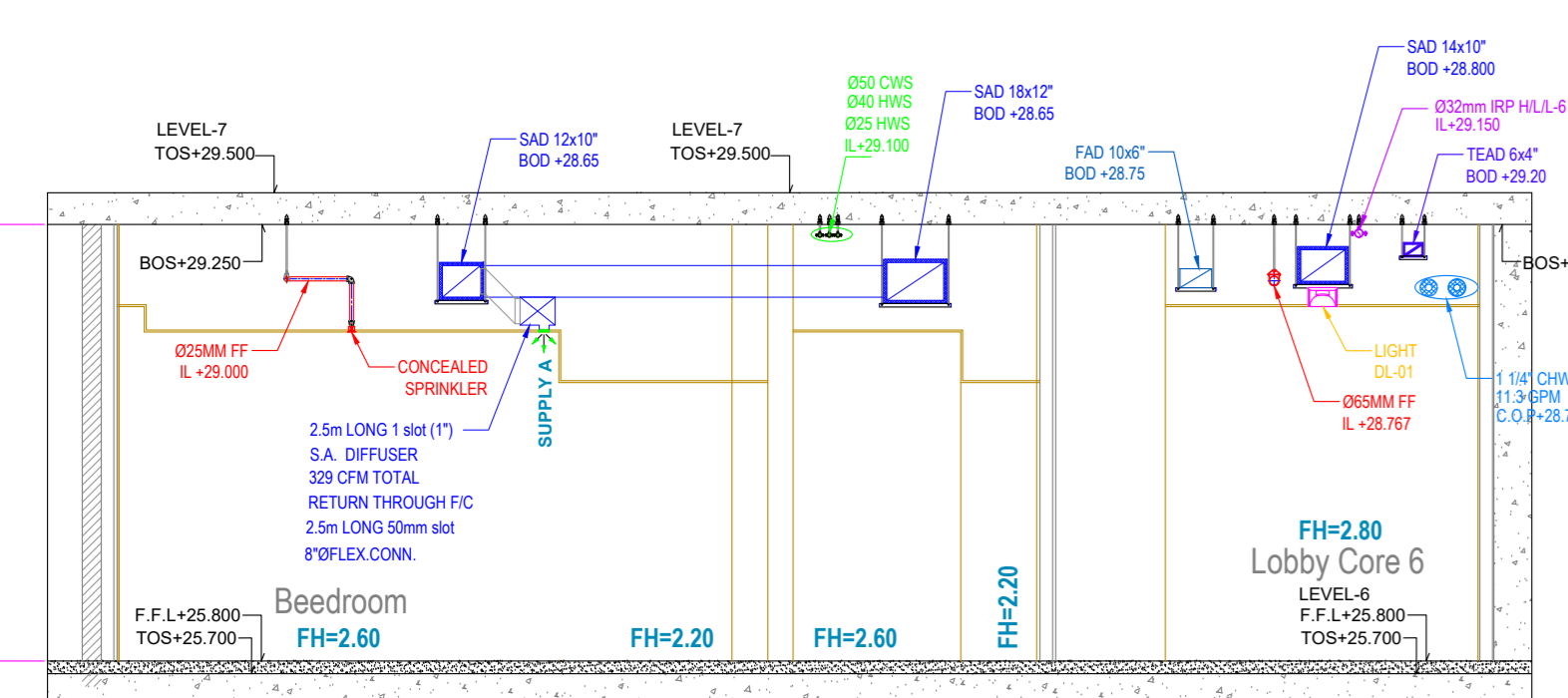
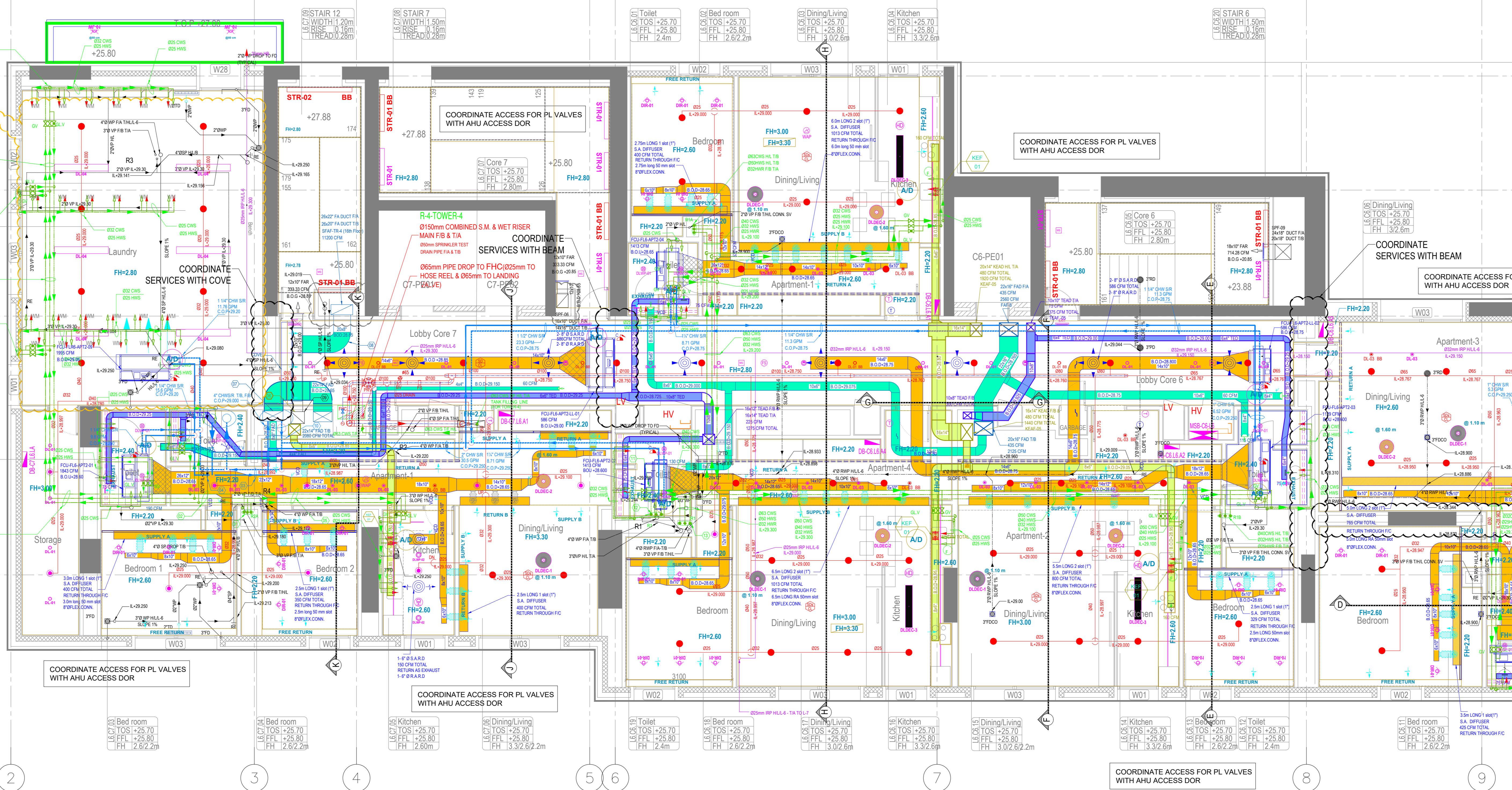


ON HOLD
AS PER YOUR LETTER
Ref: MSS/FAW/238/2017



**Level 6 H/L - Composite Layout
TOWER -4
SCALE = 1:50
GRID : 1 - 8**

General Notes:

- All dimensions are MM and levels in Mtr.
- All work to be executed on site in accordance with the requirements of the relevant fire brigade (MTC) regulations and other local authorities regulations in force and the best practices.
- This composite drawing is to be read in conjunction with all relevant approved shop drawings.
- All services shall be above false ceilings specified on the drawings.
- COORDINATE ACCESS DOOR BEHIND ON DRAWINGS.
- COORDINATE FIRE FIGHTING TEST DISIN VALVE TO BE ABOVE FIRE HOSE CABINET.
- ALL SERVICES FOR WIDE APARTMENTS AND COORDINATED BY SHALL BE CONCEALED TYPE.
- ACCESS DOOR FOR VALVES TO BE COORDINATED WITH KITCHEN CABINET.
- KITCHEN EXHAUST FANS TO BE COORDINATED WITH KITCHEN STORE LOCATION.
- LIGHTS POINTS TO BE AWAY FROM OTHER SERVICES.
- WATER PIPES ROUTES SHALL BE AWAY FROM ELECTRICAL AND LV ROOMS.
- COORDINATE LOCATION OF FCU POWER POINTS WITH FCU AND A/D.
- COORDINATE ALL EXHAUST WITH COILS.
- COORDINATE ALL SERVICES WITH COILS.
- ALL SERVICES SHALL BE COORDINATED WITH ARCHITECTURAL LAYOUT.
- 1/8" ON SPACET SHALL BE PROVIDED ABOVE FALSE CEILING LEVEL TO INSTALL LIGHT FITTURES.
- ALL SERVICES SHALL FOLLOW MTC AND NEW REGULATIONS.
- REFLECTED CEILING SHOP DRAWINGS.
- FINAL LOCATION AND TYPE OF EX LIGHT SHALL BE AS PER APPROVED REFLECTED CEILING SHOP DRAWINGS.
- FINAL LOCATION AND TYPE OF CAMERAS SHALL BE AS PER MTC REGULATIONS.

LEGENDS :

- ARCHITECTURAL & STRUCTURAL
- DRAINAGE AND WASTE
- COLD WATER SUPPLY
- FIRE FIGHTING
- LIGHT AND POWER
- LOW VOLTAGE & FIRE ALARM
- SUPPLY AIR DUCT (SAD)
- FRESH AIR DUCT (FAD)
- KITCHEN EXHAUST AIR DUCT (KEAD)
- TOILET EXHAUST AIR DUCT (TEAD)
- HVAC CHILLED WATER LINE
- STAIRCASE PRESSURIZATION DUCT

FAWSEC EDUCATIONAL COMPANY
International Consultant:

Main Contractor:
شركة مساعدا الصالح والولاده م.م.س
Musaad Al-Saleh & Sons Co. Ltd.
Building & Civil Engineering Contractors
مقاولون اعمال الهندسة المدنية والبناء

CONTRACTOR/SUB CONTRACTOR COORDINATION RELEASE:

TRADE	SUB-CONT.	DATE	SIGNATURE
ARCHITECT			
ELECTRICAL	DEC		
H.V.A.C	DEC		
PLUMB	DEC		
LIFTS			

Project Manager:

Submittal Status:

NO.	DESCRIPTION	DATE	STATUS
01	FOR APPROVAL	16/12/2017	

Revision Status:

NO.	DESCRIPTION	DATE	STATUS
01	FOR APPROVAL	16/12/2017	

Contract Dwg No. / Shop Drawing No. / 6th-COM-106-04

Date: 16/12/2017

Rev. No: 00