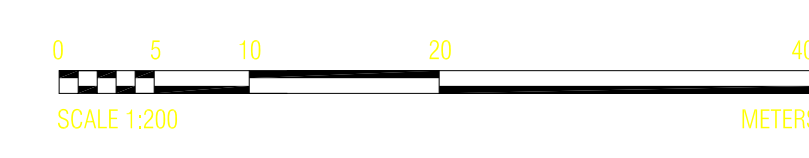


**FIRE PROTECTION PIPING LAYOUT
3RD BASEMENT PARTIAL FLOOR - ZONE 4
SCALE=1:200**



NOTES:

- ALL DIMENSIONS ARE IN MILLIMETERS AND ELEVATIONS IN METER UNLESS OTHERWISE SHOWN.
- ALL PIPE SIZE SHOWN ARE NOMINAL PIPE DIAMETER IN MILLIMETERS.
- ALL FIRE PROTECTION INSTALLATIONS SHALL CONFORM WITH NATIONAL FIRE PROTECTION ASSOCIATION (NFPA) AND CIVIL DEFENSE REGULATIONS.
- FOR 2ND BASEMENT FRAMING PLAN REFER TO DRAWING NO. 3015102 (REV D DATED 2010).
- FOR SCHEDULES OF FOOTINGS, SECTION AND DETAILS REFER TO DRAWING NO. 3015201 (REV D).
- FOR SCHEDULE OF COLUMN REFER TO DRAWING NO. 3015301, 3015302, 3015303 & 3015304.
- FOR DRAINAGE SYSTEM 2ND BASEMENT (BELOW SLAB) REFER TO DRG. NO. 4P55-HCI-PB-002.
- FOR WATER SUPPLY SYSTEM 3RD BASEMENT (BELOW SLAB) REFER TO DRG. NO. 4P55-HCI-PB-003.
- FOR 3RD BASEMENT FLOOR ARCHITECTURAL PLAN REFER TO DRG. NO. 301A101 (REV C DATED 2010).
- FOR 3RD BASEMENT HVAC PLAN REFER TO DRG. NO. 301M101 (REV C DATED 2010).
- FOR 3RD BASEMENT LIGHTING PLAN REFER TO DRG. NO. 301E101 (REV D DATED 2010).
- FOR 3RD BASEMENT FIRE ALARM & VOICE EVAC SYSTEM PLAN REFER TO DRG. NO. 301E401.
- ALL PIPES SHOWN ON THE DRAWING ARE ERW GALVANIZED PIPES PIPES CONFORM TO ASTM A53M SCH 40 AND FITTINGS GALVANIZED BRASS CONFORM TO ASTM A192M SCH 40.
- ALL FIRE PROTECTION ACCESSORIES AND EQUIPMENTS SHOWN ON THIS DRAWING WILL BE AS PER APPROVED MATERIAL SUBMITTALS.
- PUMPS AND FIRE TANK ROOM DETAILS DRAWINGS WILL BE SUBMITTED FOR APPROVAL AFTER THE APPROVAL OF MATERIAL SUBMITTAL OF FIRE PUMPS AND ALL RELATED EQUIPMENTS.
- FOR SCHEDULE OF FIRE PUMPS AND CAPACITIES REFER TO PUMP ROOM DETAIL DRAWINGS (WILL BE SUBMITTED LATER).
- DETAILS OF 630 FDN FIRE WILL BE PROVIDED AFTER THE APPROVAL OF MATERIAL SUBMITTAL.
- DETAILS OF PVP, GVS & FS WILL BE PROVIDED AFTER THE APPROVAL OF MATERIAL SUBMITTAL.

SYMBOLS

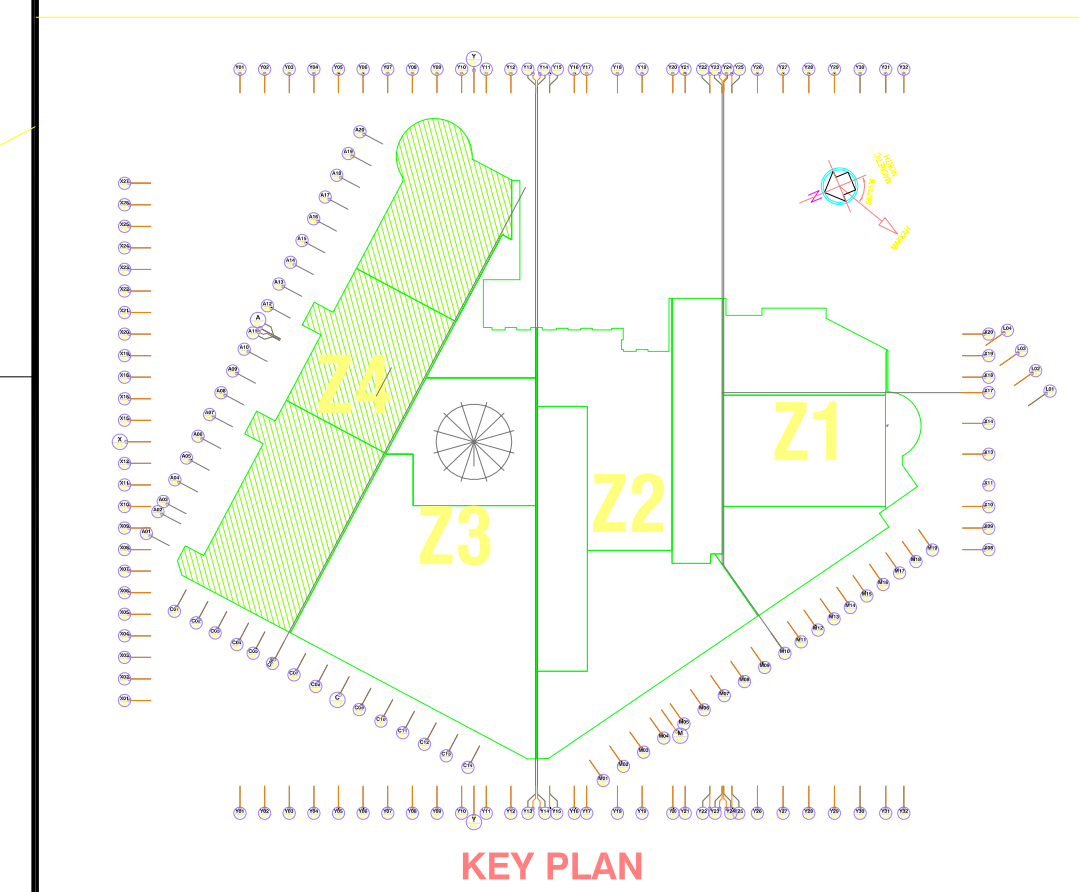
	TEE W/ GROOVED END		REDUCER
	90° ELBOW W/ GROOVED END		GATE VALVE
	45° ELBOW W/ GROOVED END		RISE RIPPLE (PLAN VIEW)
	180° LONG RADIUS BEND		

LEGENDS:

- 2000 FIRE WATER MAIN LINE
- 1500 FIRE WATER MAIN LINE
- FIRE WATER BRANCH LINE TO SPRINKLERS

ABBREVIATIONS:

CLD	CEILING	ST	STRAINER
CV	CHECK VALVE	IE	INVERT ELEVATION
DN	DOWN	IN	INLET
FC	FLEXIBLE CONNECTION	RV	RESOLUTION VALVE
FACV	FIRE ALARM CHECK VALVE	RTS	ROOT TO SCALE
FCAV	FLOOR CONTROL VALVE ASSEMBLY	PFE	POTABLE FIRE EXTINGUISHER
FDV	FIRE DEPARTMENT VALVE	QCV	QUICK COUPLER VALVE
FHC	FIRE HOSE CABINET	RCV	REMOTE CONTROL VALVE
FHS	FIRE HOSE STATION	RN	RISER NIPPLE
FNL	FIRE WATER LINE	STD	STANDARD
FWR	FIRE WATER RISER	TYP	TYPICAL
FS	FLOW SWITCH	W	WITH
FWAC	FIRE WATER @ CEILING	"	INCH
FWDR	FIRE WATER DOWNHEAD	Ø	DIAMETER
GV	GATE VALVE	Ø	DIAMETER
GVS	GATE VALVE W/ SUPERVISORY SWITCH	°C	DEGREES CENTIGRADE
PS	PRESSURE GAUGE	@	AT
PRV	PRESSURE REDUCING VALVE	B.O.P	BOTTOM OF PIPE



REFERENCE DRAWINGS

REFERENCE DRAWING NO.	DRAWING DESCRIPTION
3015102	2ND BASEMENT FRAMING PLAN (REV D DATED 2010)
301A101	3RD BASEMENT FLOOR PLAN (REV C DATED 2010)
301FP101	3RD BASEMENT FIRE PROTECTION PLAN (REV C DATED 2010)

COORDINATION

CONCURRED BY TECHNICAL DEPARTMENT HEAD	
CHECKED: ARCHITECTURAL, STRUCTURAL, ELECTRICAL, MECH, HVAC, PUMING, SCHEDING, COORDINATION, ILC	
SIGNATURE	

REVISIONS

Rev. No.	Date	Description of Changes	Draw	Chkd.	Appr.
01	25/03/2010	REVISED AS PER CONSULTANT'S COMMENTS			
00	10/03/2010	SHOP DRAWING ISSUED FOR APPROVAL			

PROJECT TITLE
INFORMATION TECHNOLOGY AND COMMUNICATION COMPLEX CONVENTION HOTEL, PACKAGE-II RYADH - KINGDOM OF SAUDI ARABIA

CLIENT
Rayadad Investment Company
P.O. Box: 58850, Riyadh: 11584
Tel: 01-2059911, Fax: 01-2059922
E-mail: info@raid.com.sa

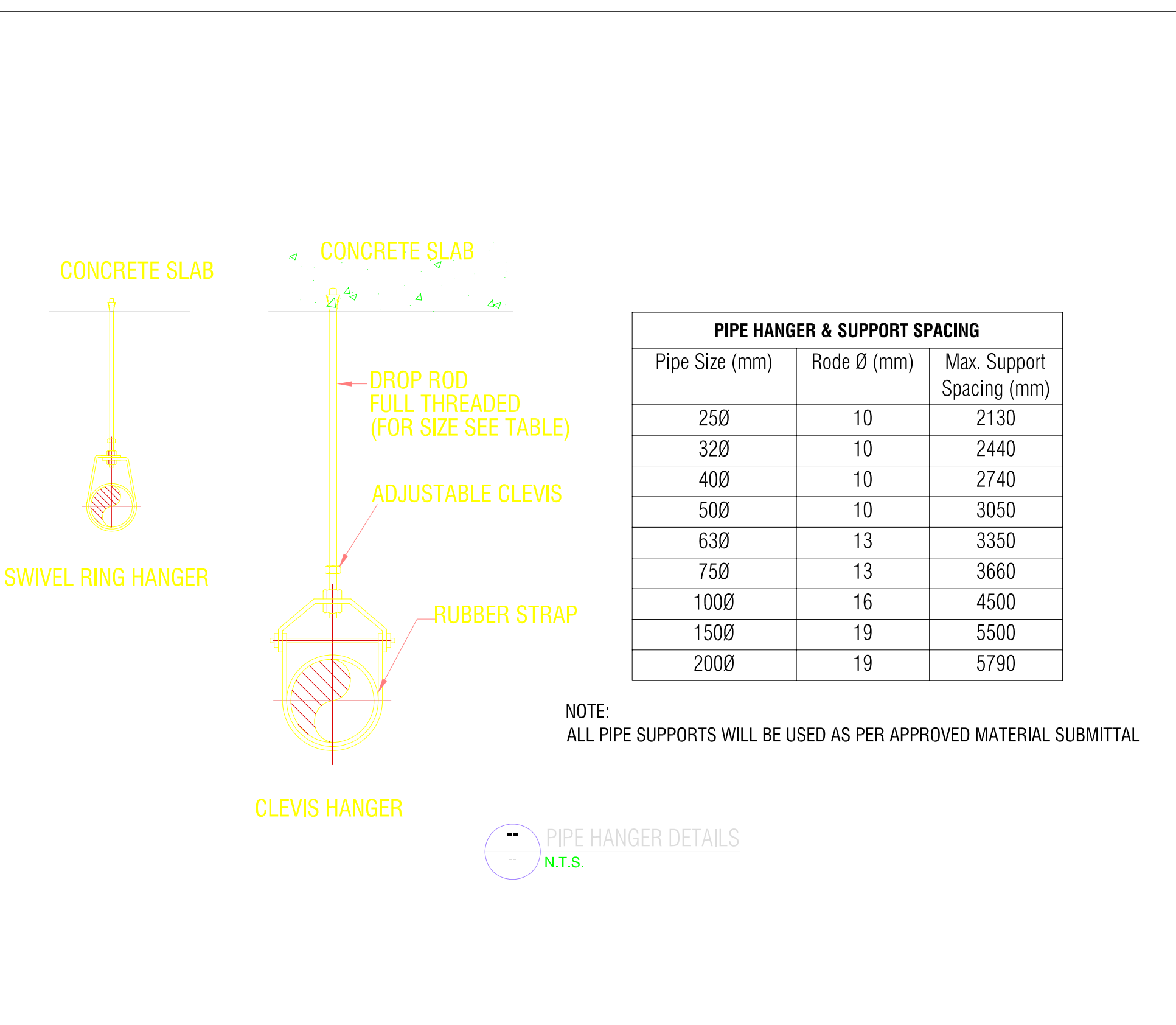
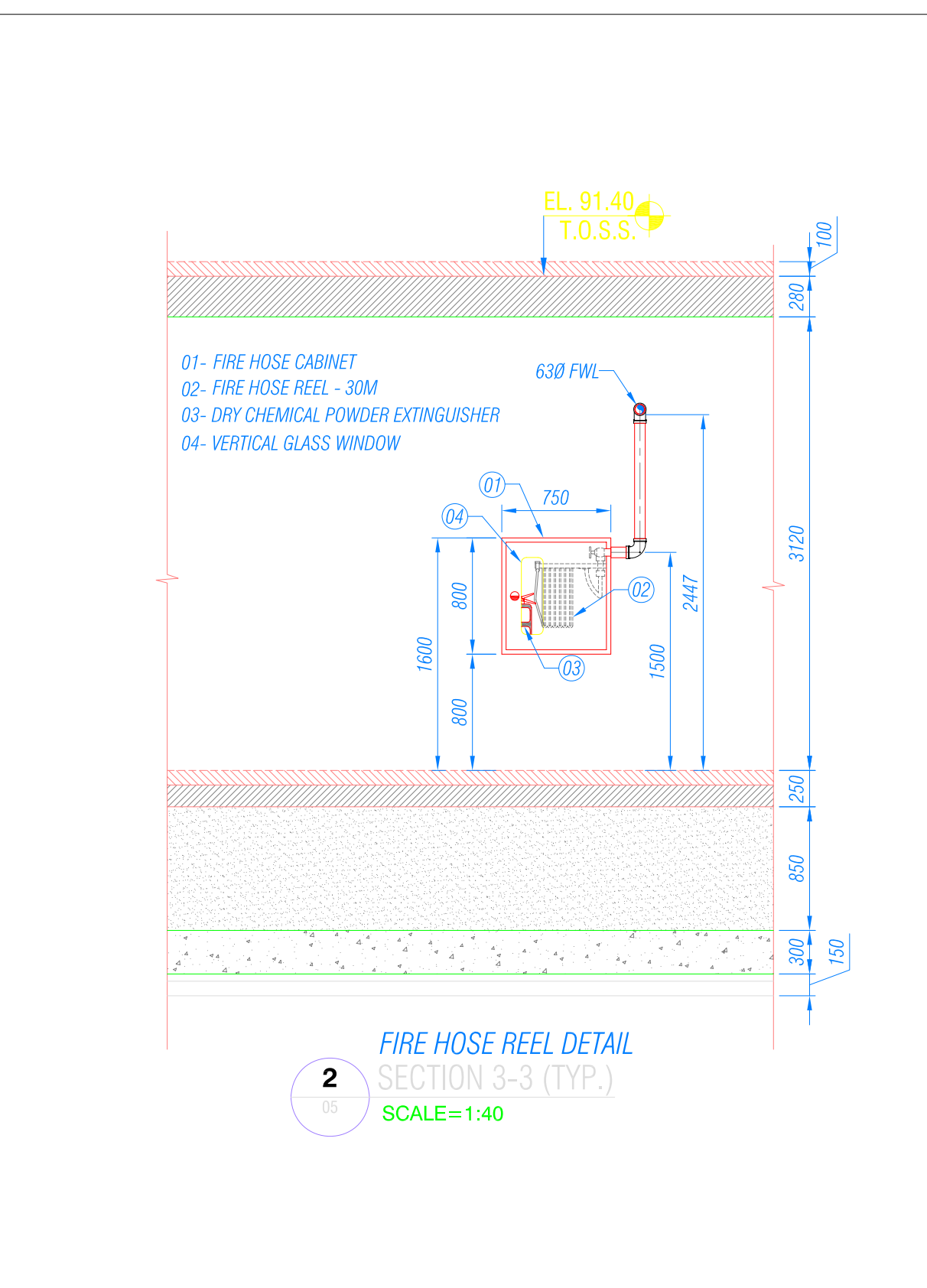
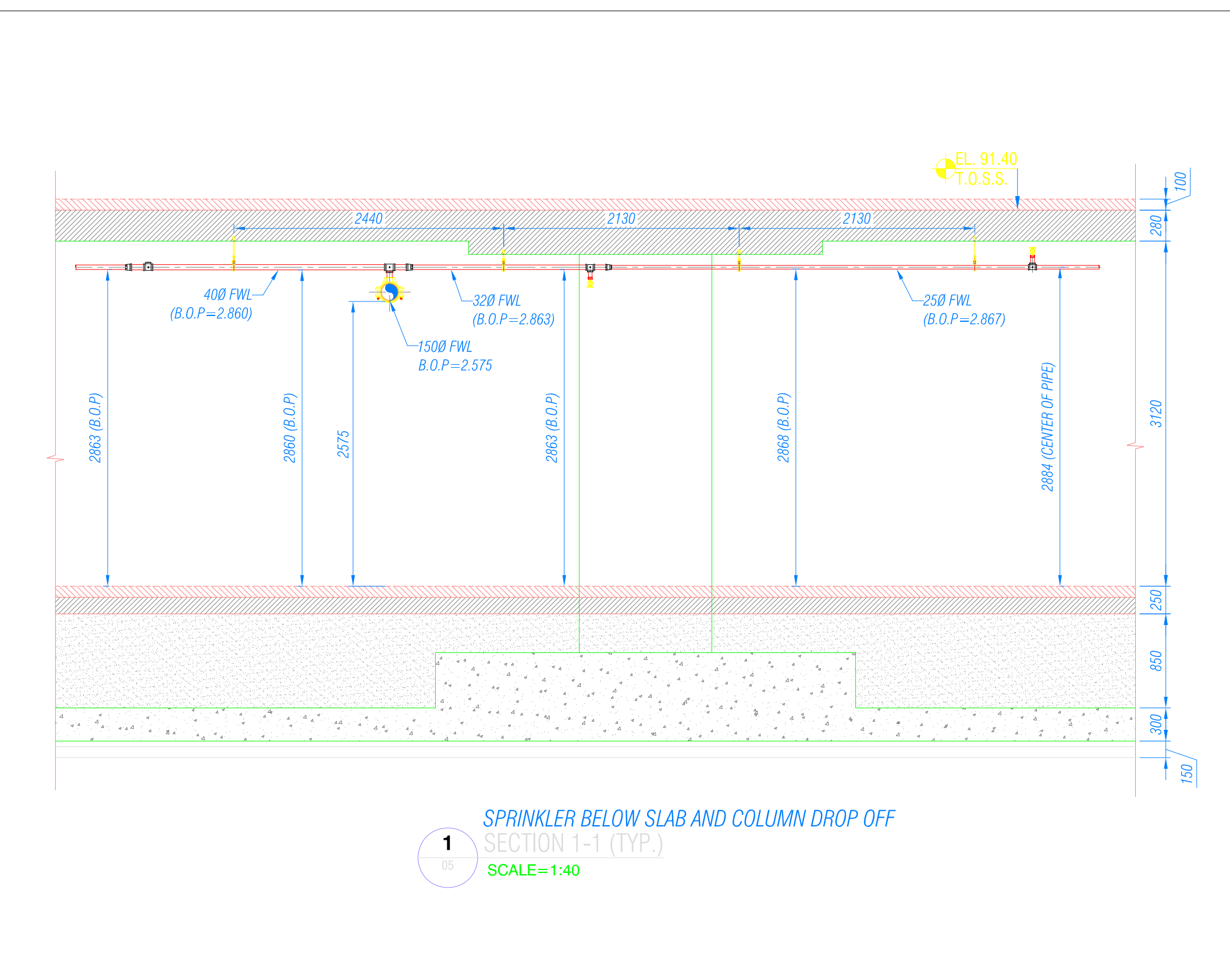
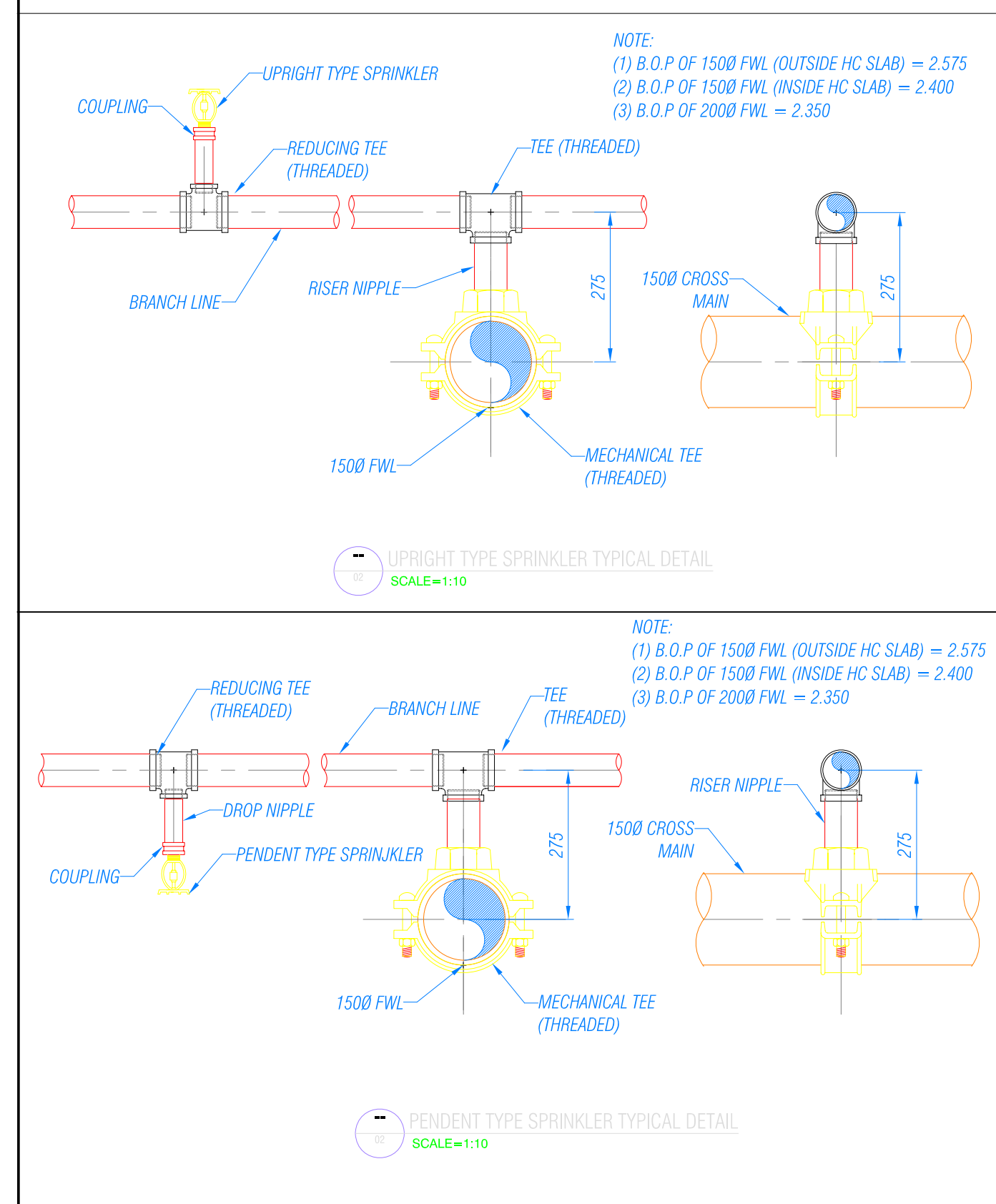
PROJECT MANAGER
HanniParsons Co.Ltd.
9th Fl. City Air Tower Bldg,
150-9, Songmang-dong, Kangnam-gu,
Seoul Korea 135-973
Tel: 822-3429-6552
Fax: 822-3429-6363/4
WWW: hanniparsons.com

DESIGN/CONSULTANT
CCCE
Contractors
Mechanical, Electrical
and Construction Division
14, Al-Faisaliah Street
P.O. Box 250991
Riyadh 11391
Kingdom of Saudi Arabia
Tel: (01) 416-1122, 464-2991, Fax: (01) 416-1988,
Email: ccce@spsaudi.com

MAIN CONTRACTOR
CONTRACTING & CONSTRUCTION ENTERPRISES LTD.
P.O. Box: 250991
Riyadh 11391
Kingdom of Saudi Arabia
Tel: (01) 416-1122, 464-2991, Fax: (01) 416-1988,
Email: ccce@spsaudi.com

DRAWING TITLE
FIRE PROTECTION PIPING LAYOUT 3RD BASEMENT PARTIAL FLOOR-ZONE 4

Drawing Type	Drawing No.	Shr. No.	Rev. No.
FIRE PROTECTION	PC59-HC.1-FP-001	05	01
Scale	Drawn By	Signature	Checked By
AS SHOWN	K.R.		K.H.
Drawing Status	Issued For	Date	
SHOP DRAWING	APPROVAL	25/03/2010	



LEGENDS & SYMBOLS

	4.50 kg MULTI-PURPOSE TYPE ABC PORTABLE FIRE EXTINGUISHER
	4.50 kg CARBON DIOXIDE TYPE PORTABLE FIRE EXTINGUISHER
	90 kg MULTI-PURPOSE TYPE ABC WHEELED TYPE FIRE EXTINGUISHER
	PENDENT TYPE SPRINKLER HEAD
	UPRIGHT TYPE SPRINKLER HEAD
	CONCEALED TYPE SPRINKLER HEAD
	SIDE-WALL SPRINKLER 4.9 M, 32 GPM @ 16.0 PSI
	SIDE-WALL SPRINKLER-EXTENDED COVERAGE 5.5 M, 36 GPM @ 20.3 PSI
	SIDE-WALL SPRINKLER-EXTENDED COVERAGE 6.2 M, 40 GPM @ 25.0 PSI
	SIDE-WALL SPRINKLER-EXTENDED COVERAGE 6.7 M, 44 GPM @ 30.3 PSI
	SIDE-WALL SPRINKLER-EXTENDED COVERAGE 7.3 M, 48 GPM @ 36.0 PSI
	FM 200 NOZZLES
	QUICK COUPLER VALVE
	FIRE HOSE CABINET
	FIRE DEPARTMENT VALVE (DRY RISER) WITH 630 FIRE HOSE REEL
	FLOOR CONTROL VALVE ASSEMBLY
	CLEAN AGENT CYLINDER
	FIRE ALARM BELL
	FIRE ALARM HORN
	CONTROL PANEL
	ABORT & MANUAL SWITCH