

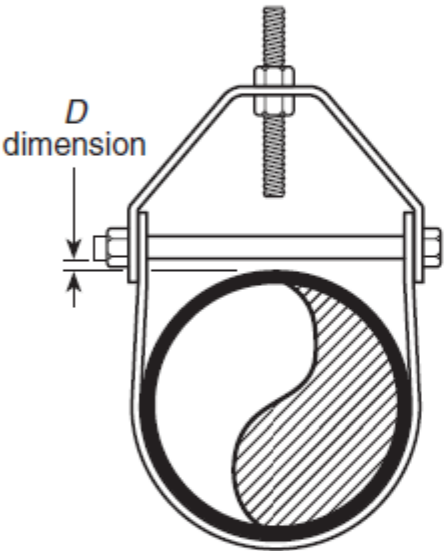
Short strap

U-hook

(Pipe tight to structure)

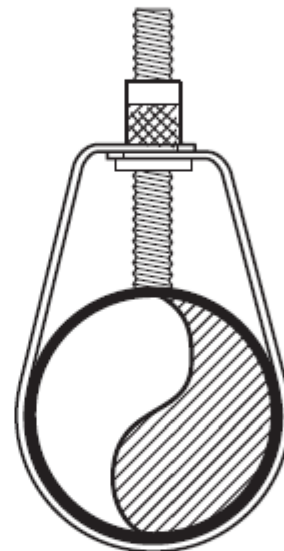


Wraparound  
U-hook

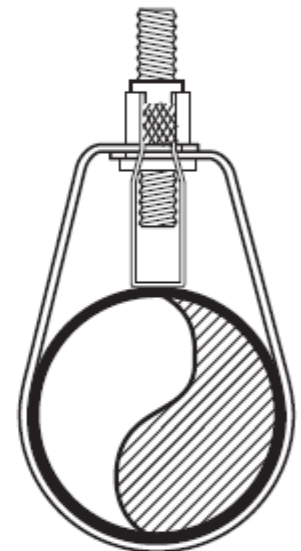


Clevis hanger

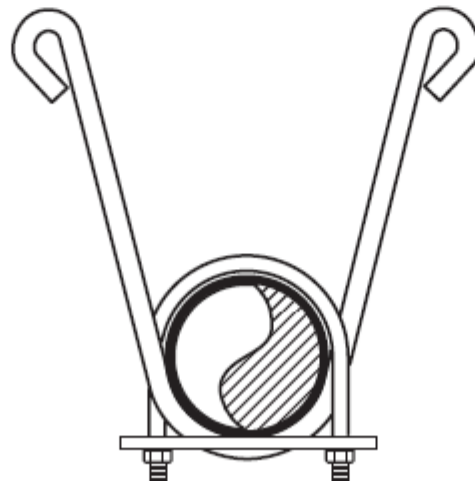
Pipe size	<i>D</i> dimension
1 in.	1/8 in.
1 1/4 in.	1/8 in.
1 1/2 in.	1/8 in.
2 in.	1/4 in.
2 1/2 in.	1/4 in.



Adjustable swivel ring — rod tight to pipe



Adjustable swivel ring with surge suppressor



Clip-on wraparound U-hook devices

**FIGURE A.9.2.3.4.4(b) Examples of Acceptable Hangers for End-of-Line (or Armover) Pendant Sprinklers.**