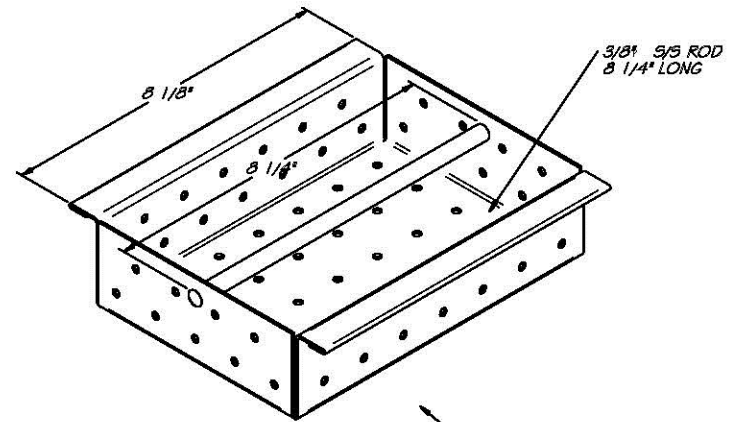
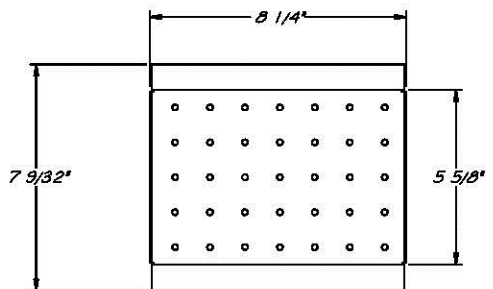


3/16" HOLES PERFORATED @ 1 1/8" CENTERS

0011366
1:2.5



HOLE BURRS TO THE OUTSIDE

NOTE: 1. BURR SIDE OF METAL PIECES SHOULD BE DEBURRED PRIOR TO FORMING.

