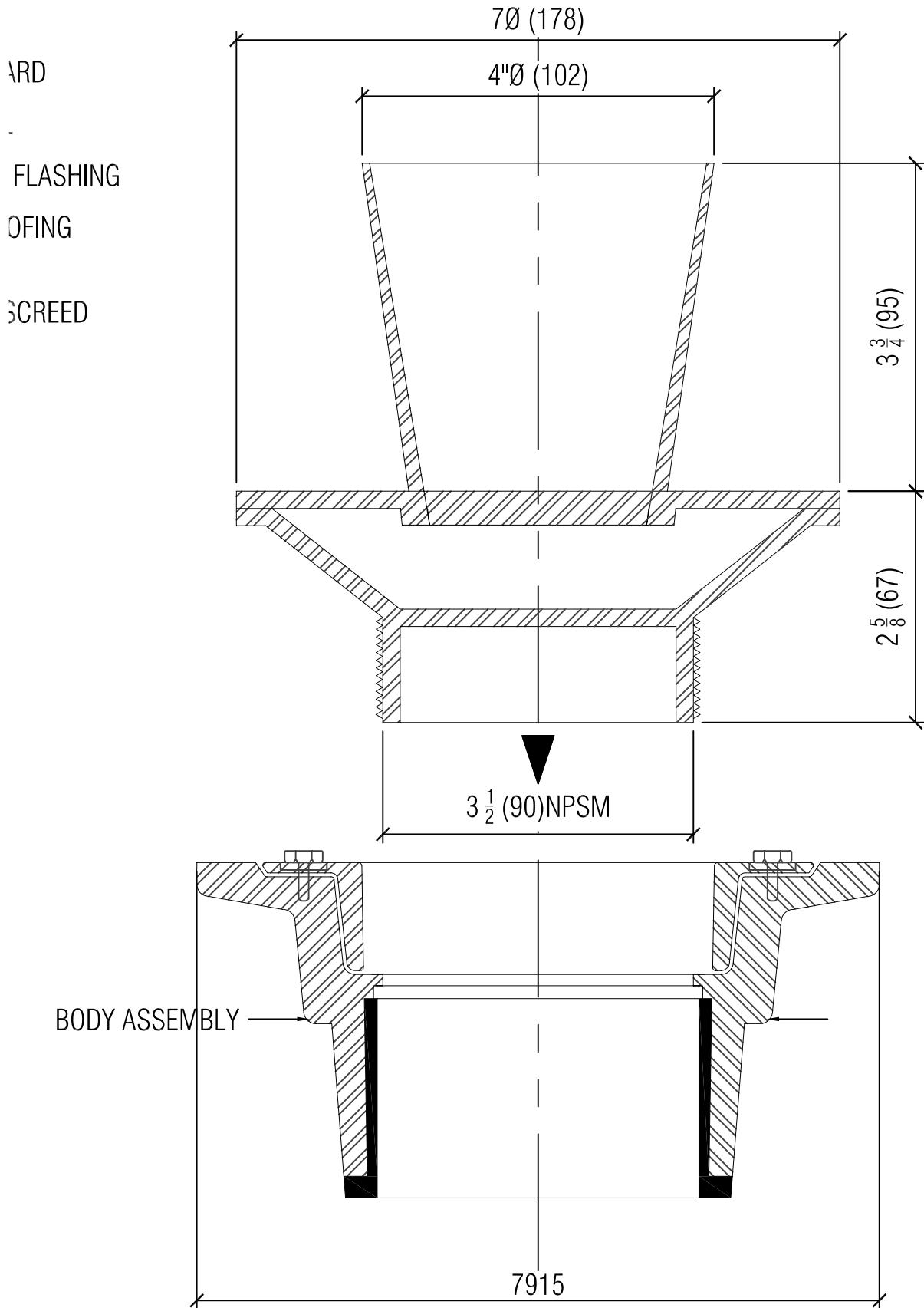


BODY /

**1**  
GP004

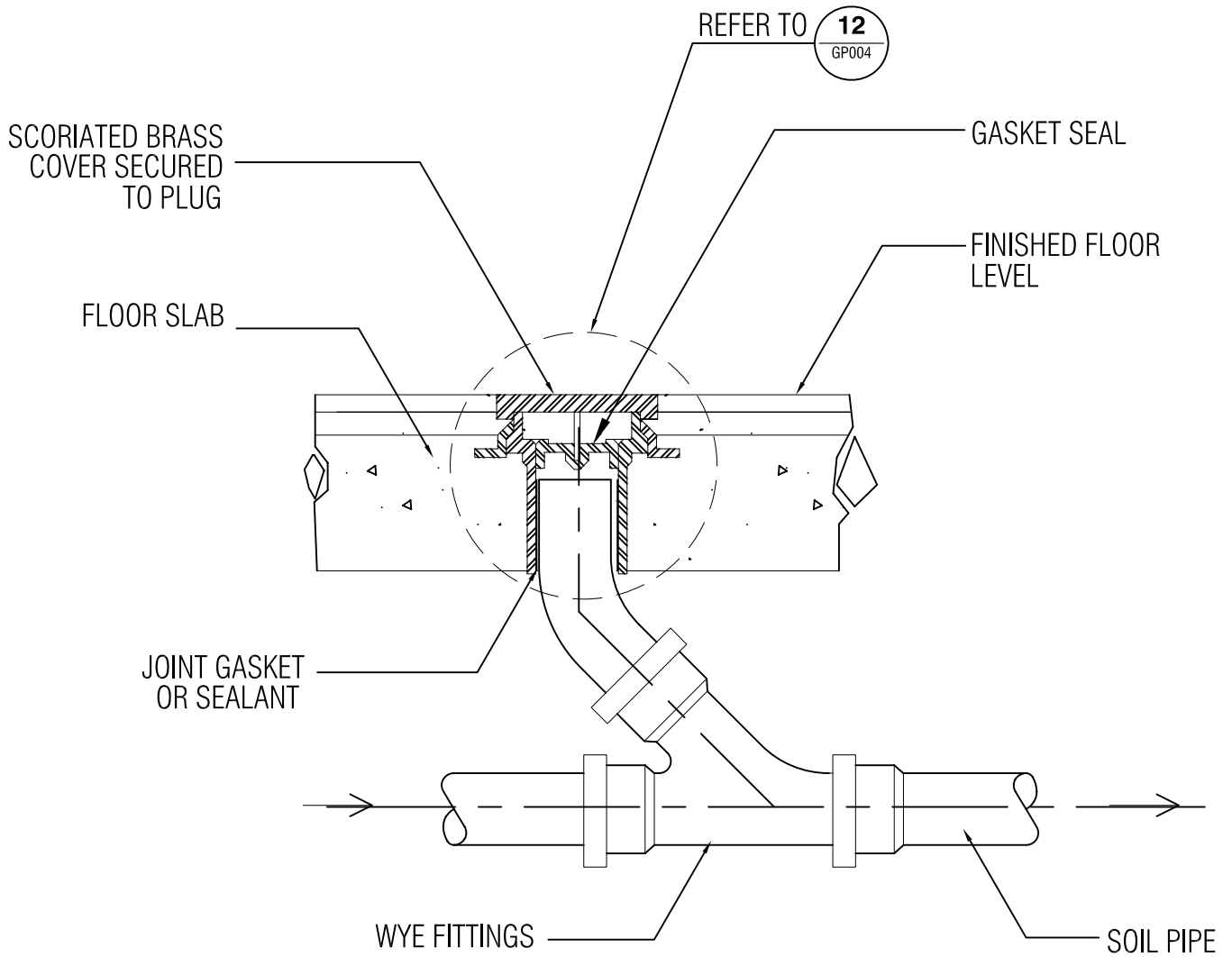
**ROOF DRAIN DETAIL**

NTS



**2**  
 GP004

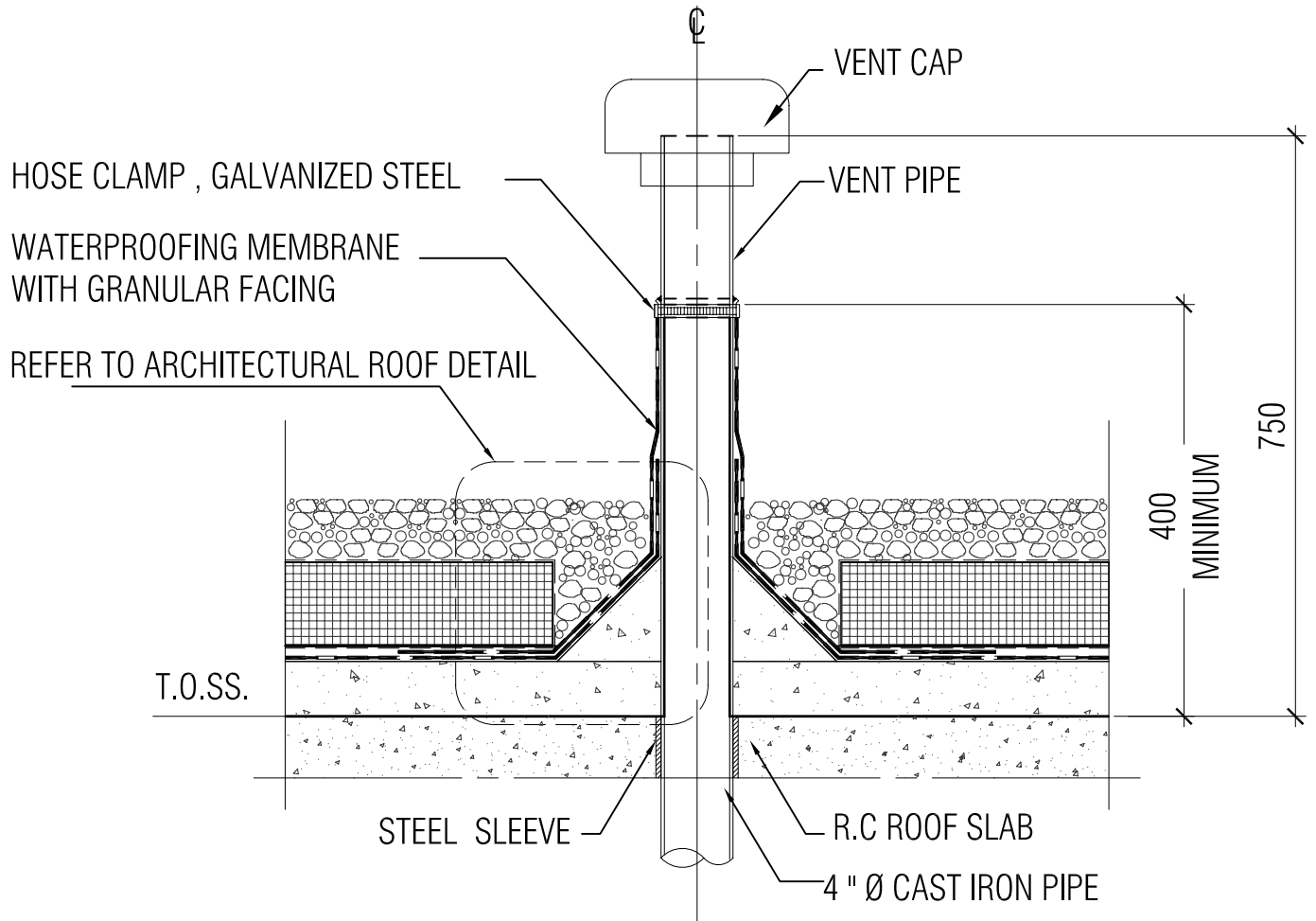
**AHU DRAIN**  
 NTS



**11**  
GP004

# FLOOR CLEANOUT MOUNTING

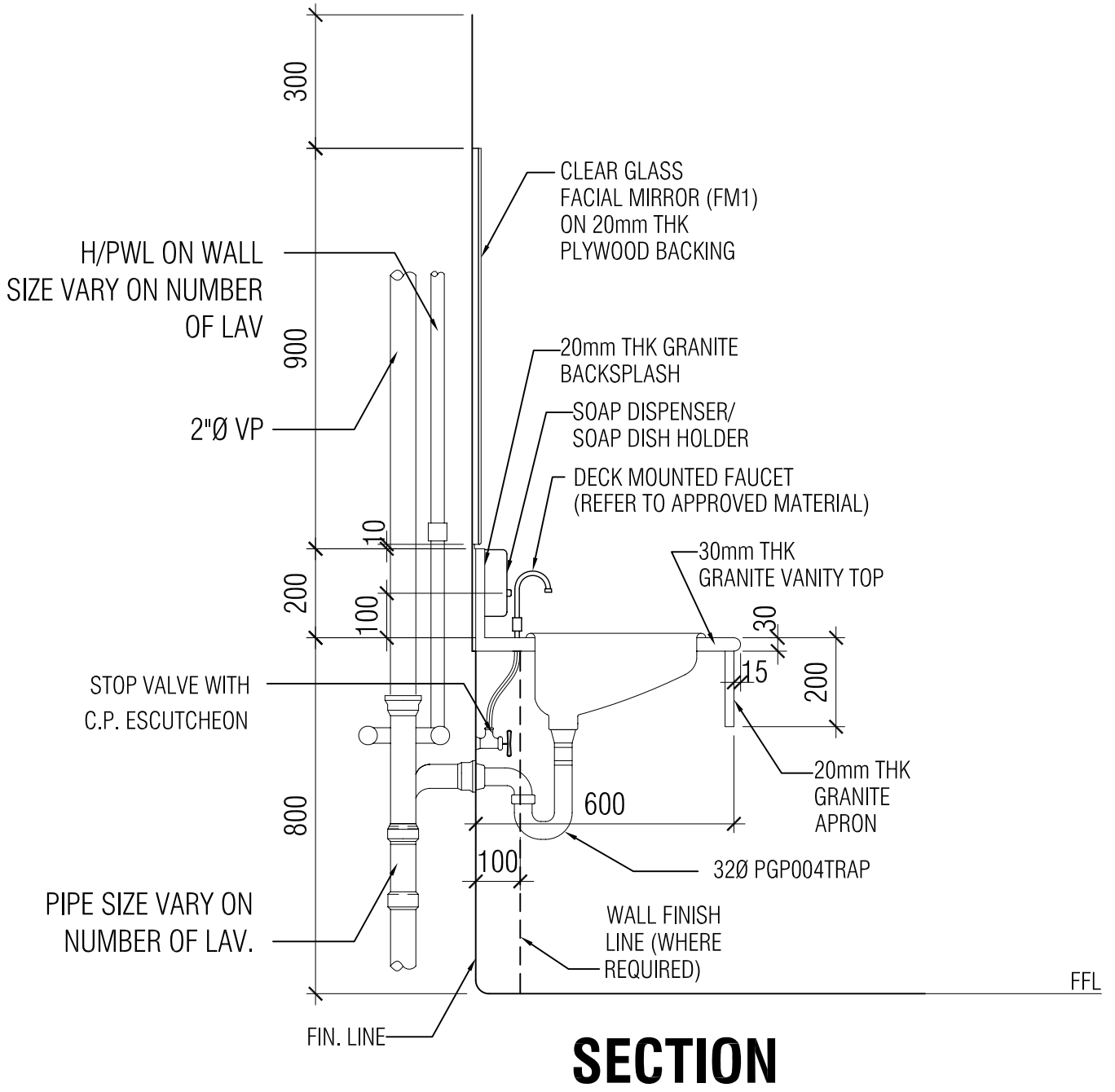
NTS



**13**  
GP004

# VENT THROUGH ROOF

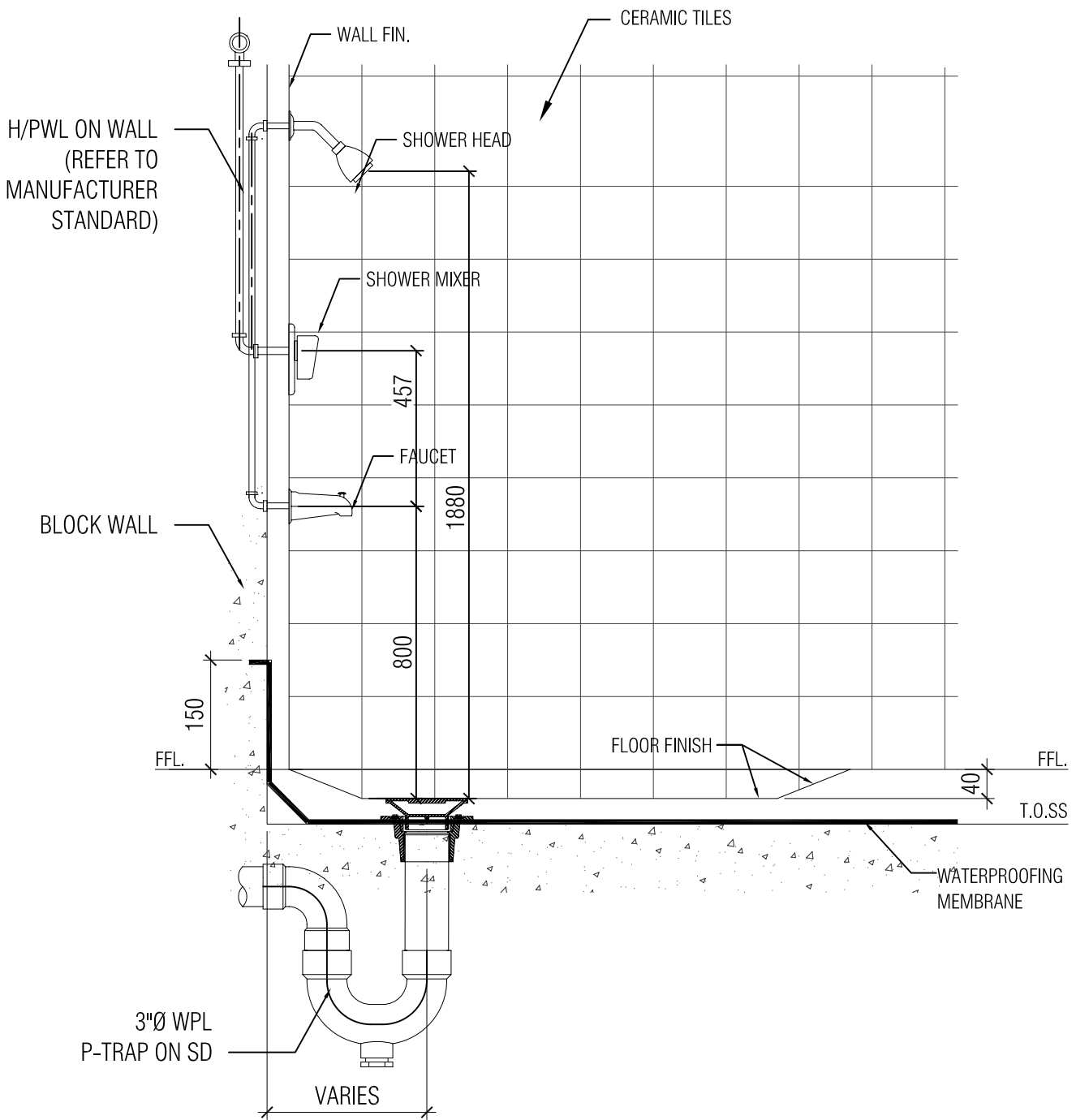
NTS



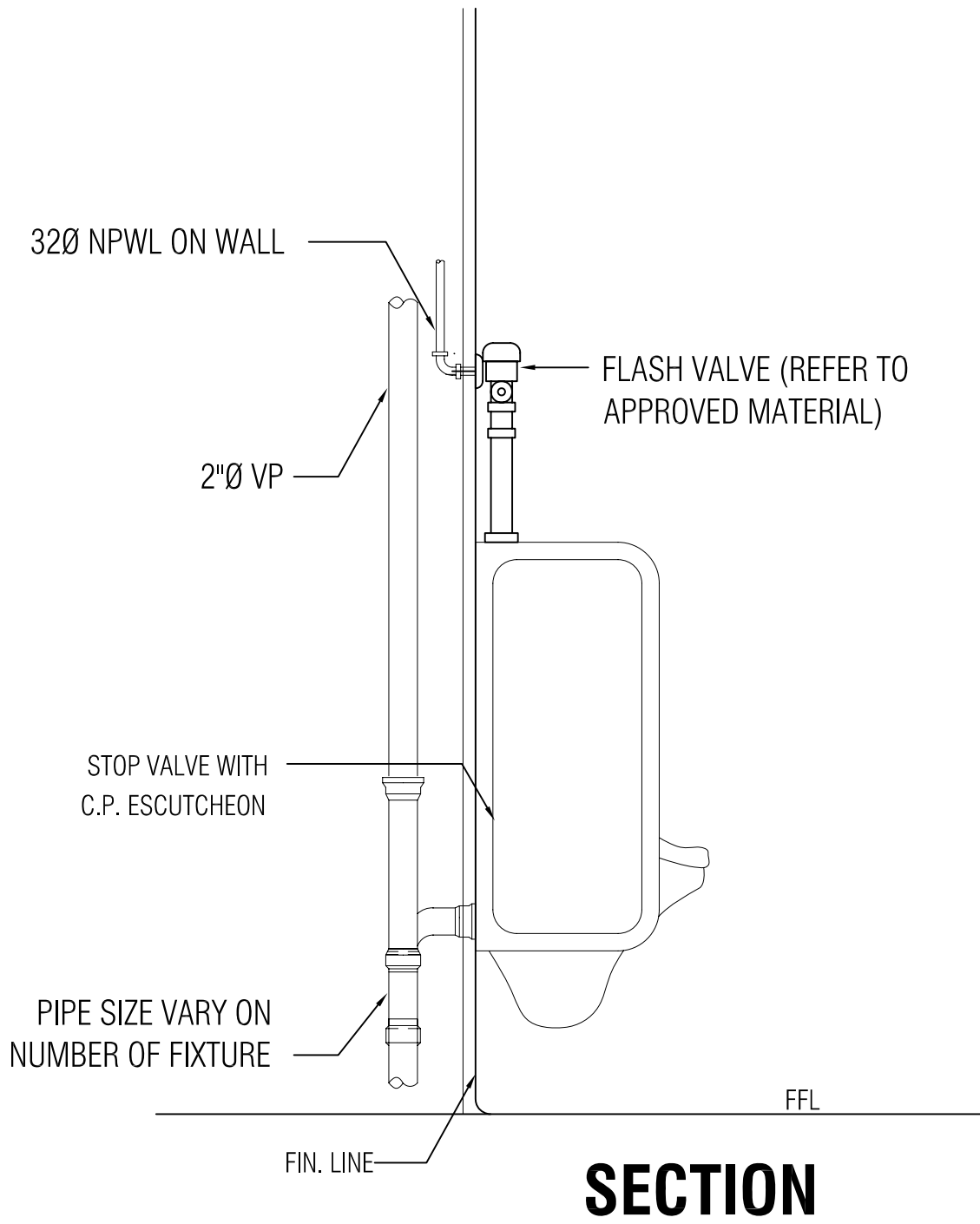
**14**  
GP004

# COUNTER TOP LAVATORY DETAIL

NTS



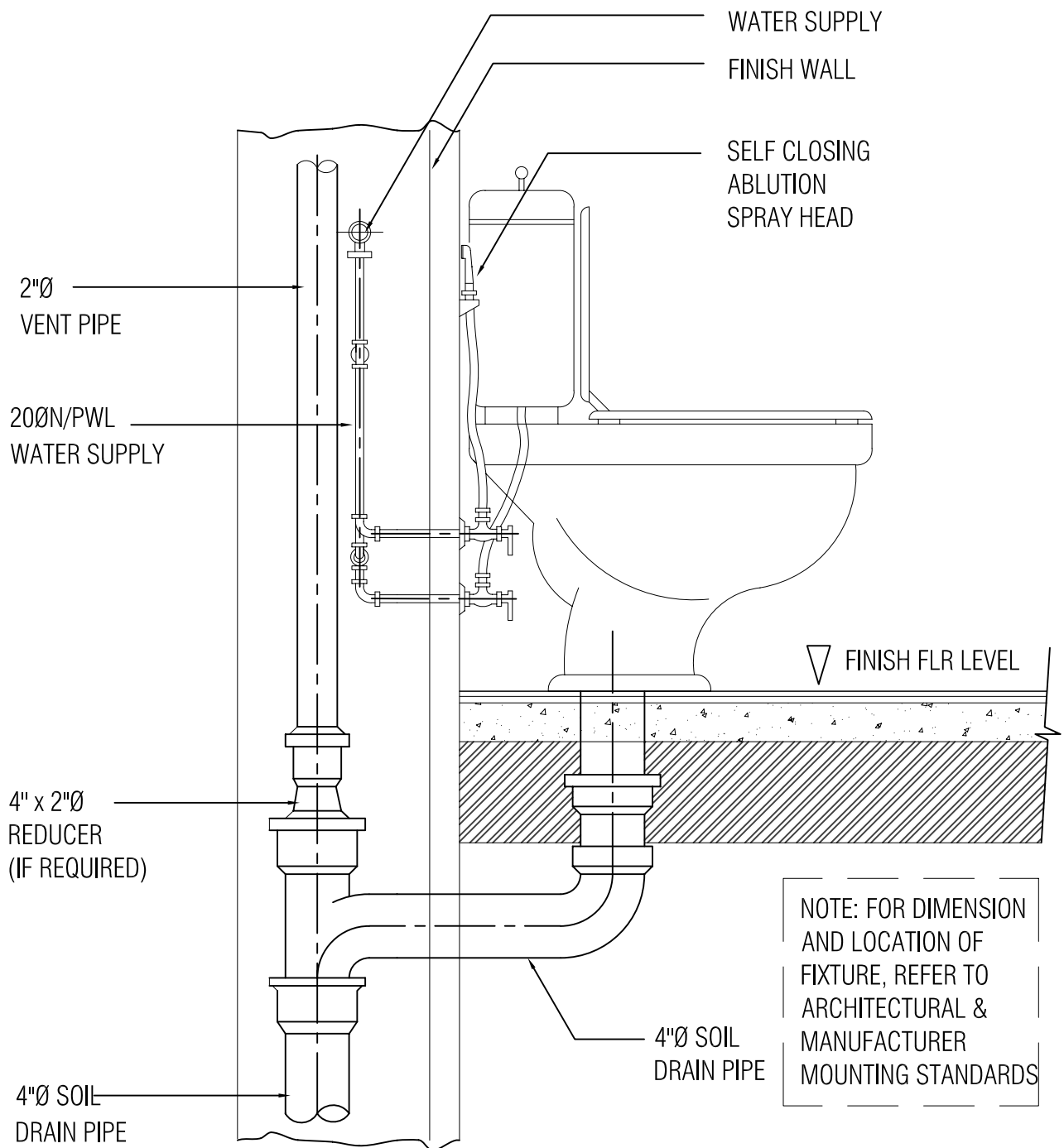
**15** **BUILT-IN SHOWER DETAIL**  
 GP004 NTS



**16**  
GP004

**URINAL DETAIL**

NTS

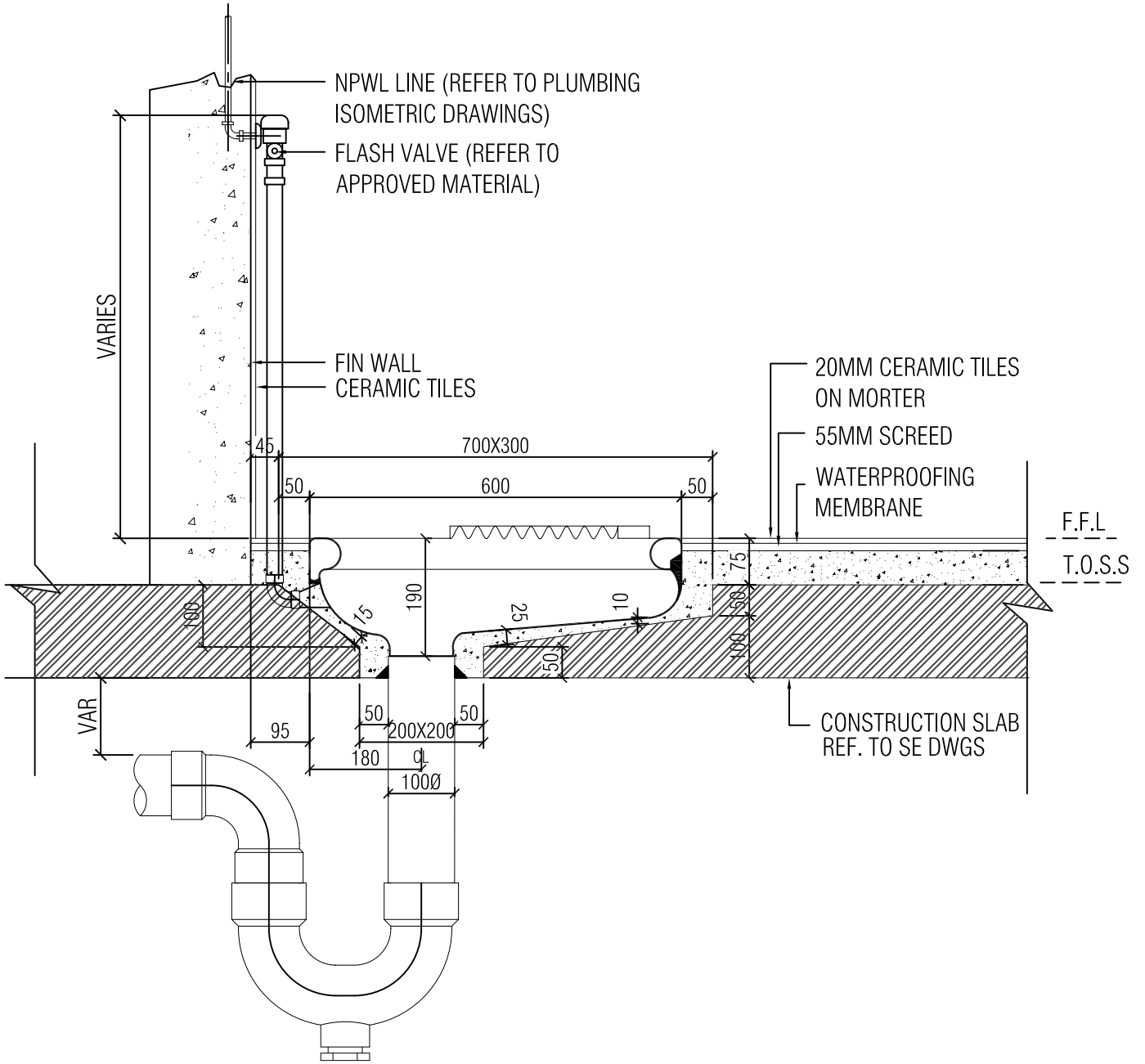


**17**  
 GP004

# FLOOR MOUNTED WATER CLOSET

NTS

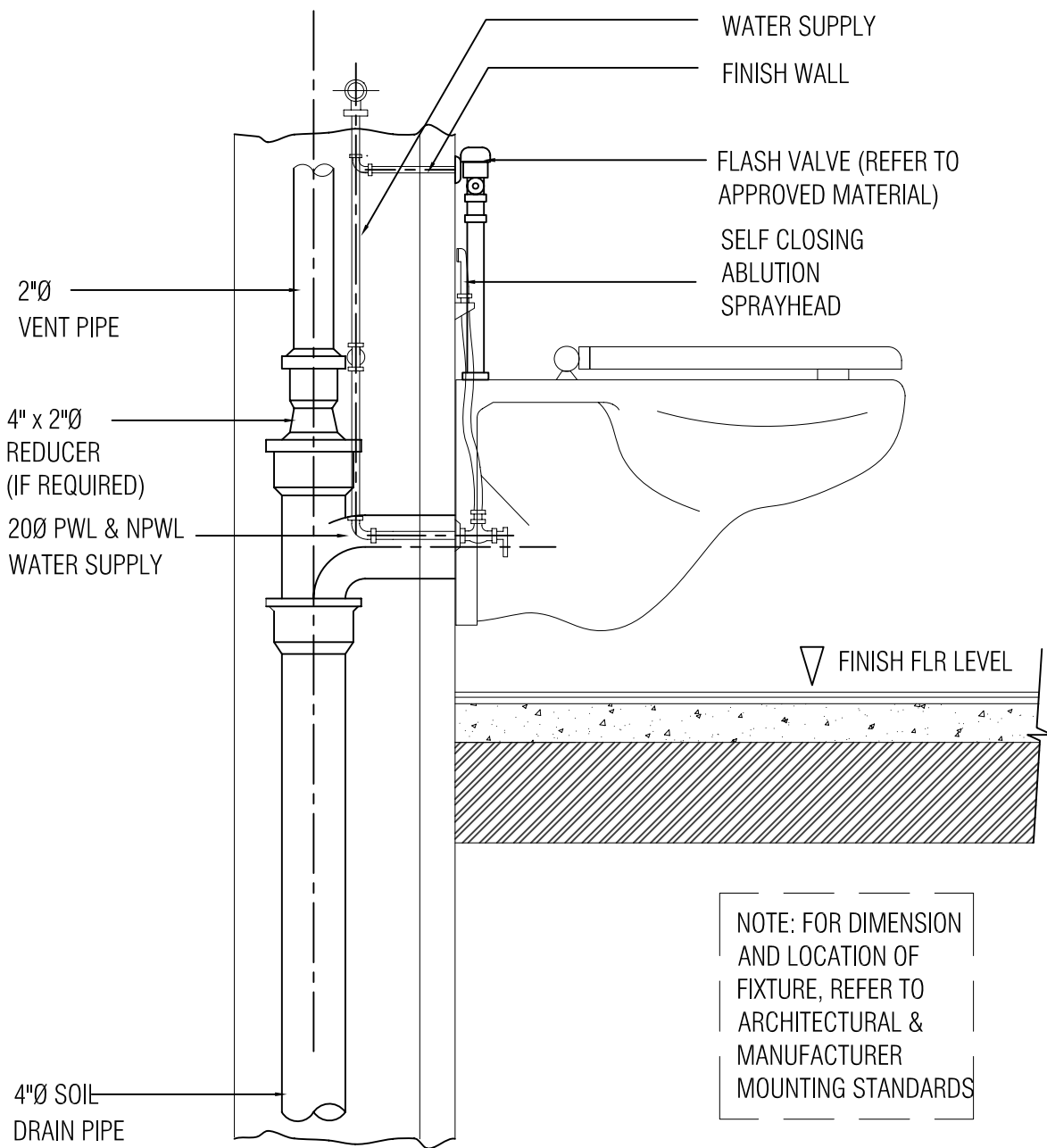




**18**  
GP004

**EASTERN WATER CLOSET**

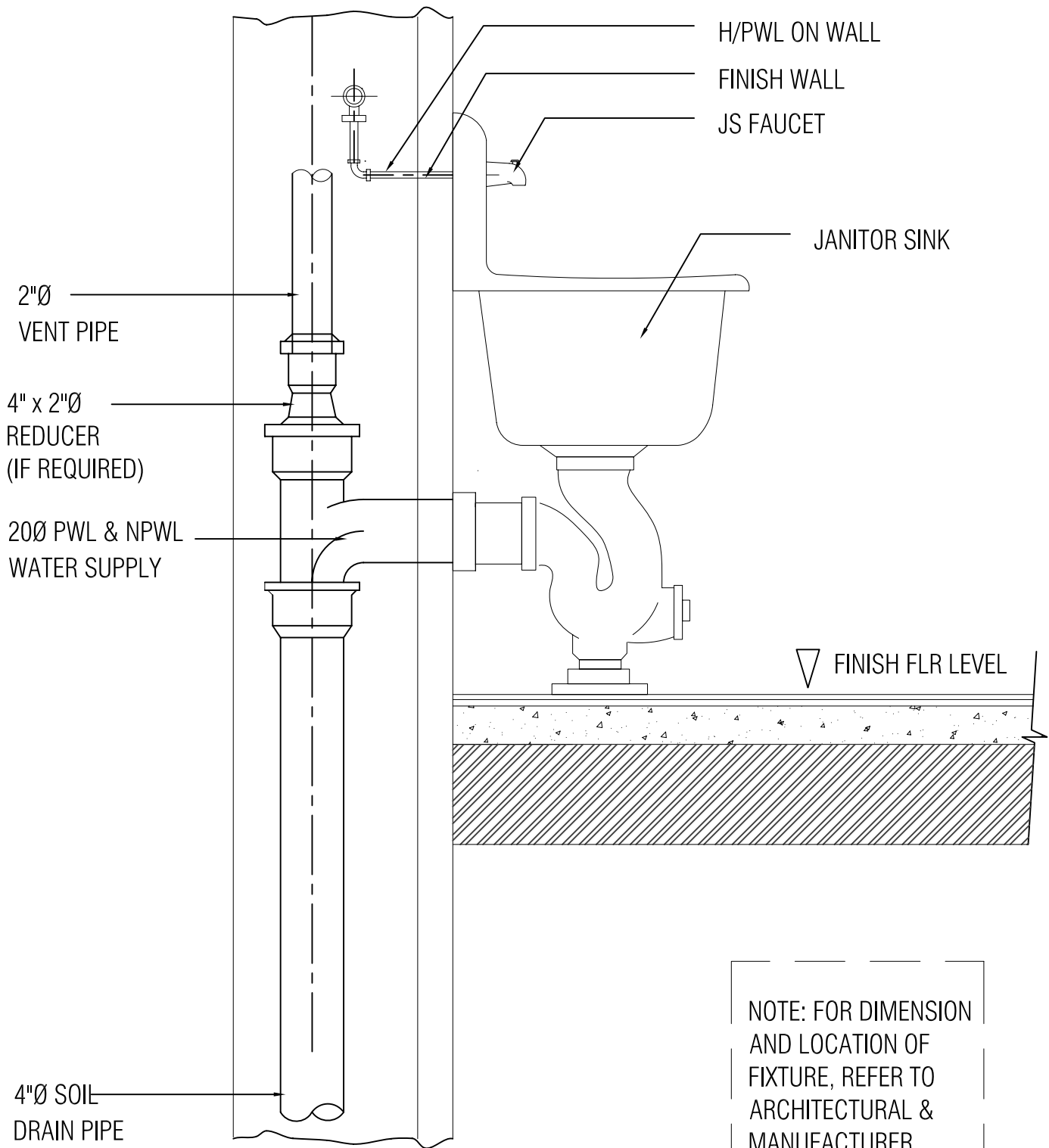
NTS



**19**  
 GP004

# WALL MOUNTED WATER CLOSET

NTS

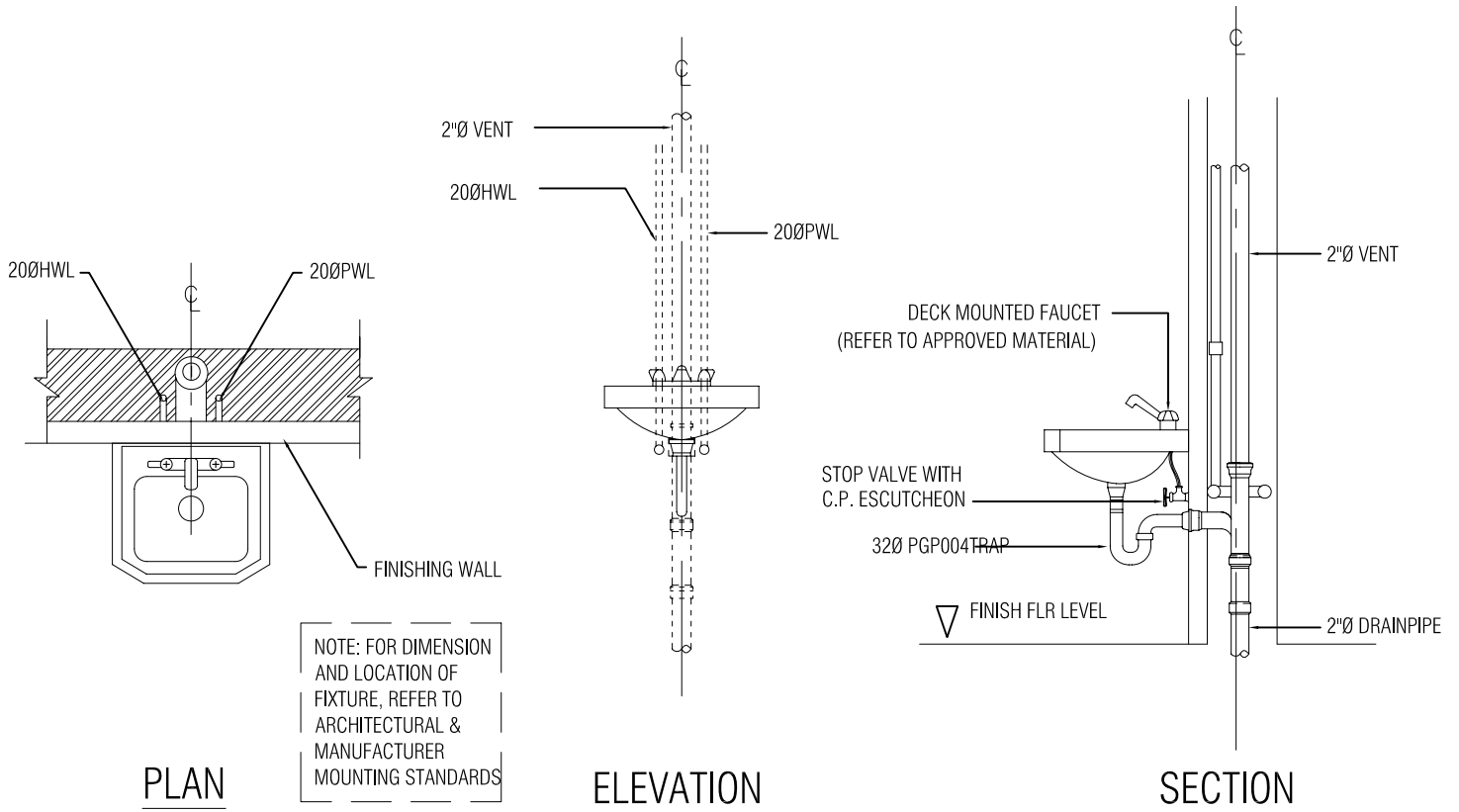


NOTE: FOR DIMENSION AND LOCATION OF FIXTURE, REFER TO ARCHITECTURAL & MANUFACTURER MOUNTING STANDARDS

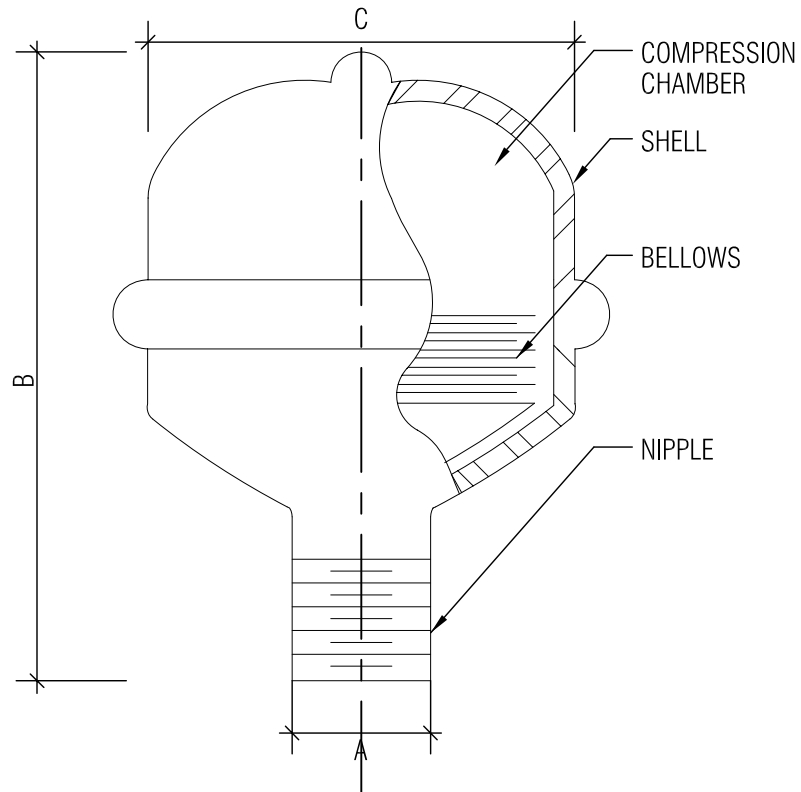
20  
GP004

**JANITOR SINK DETAIL**

NTS

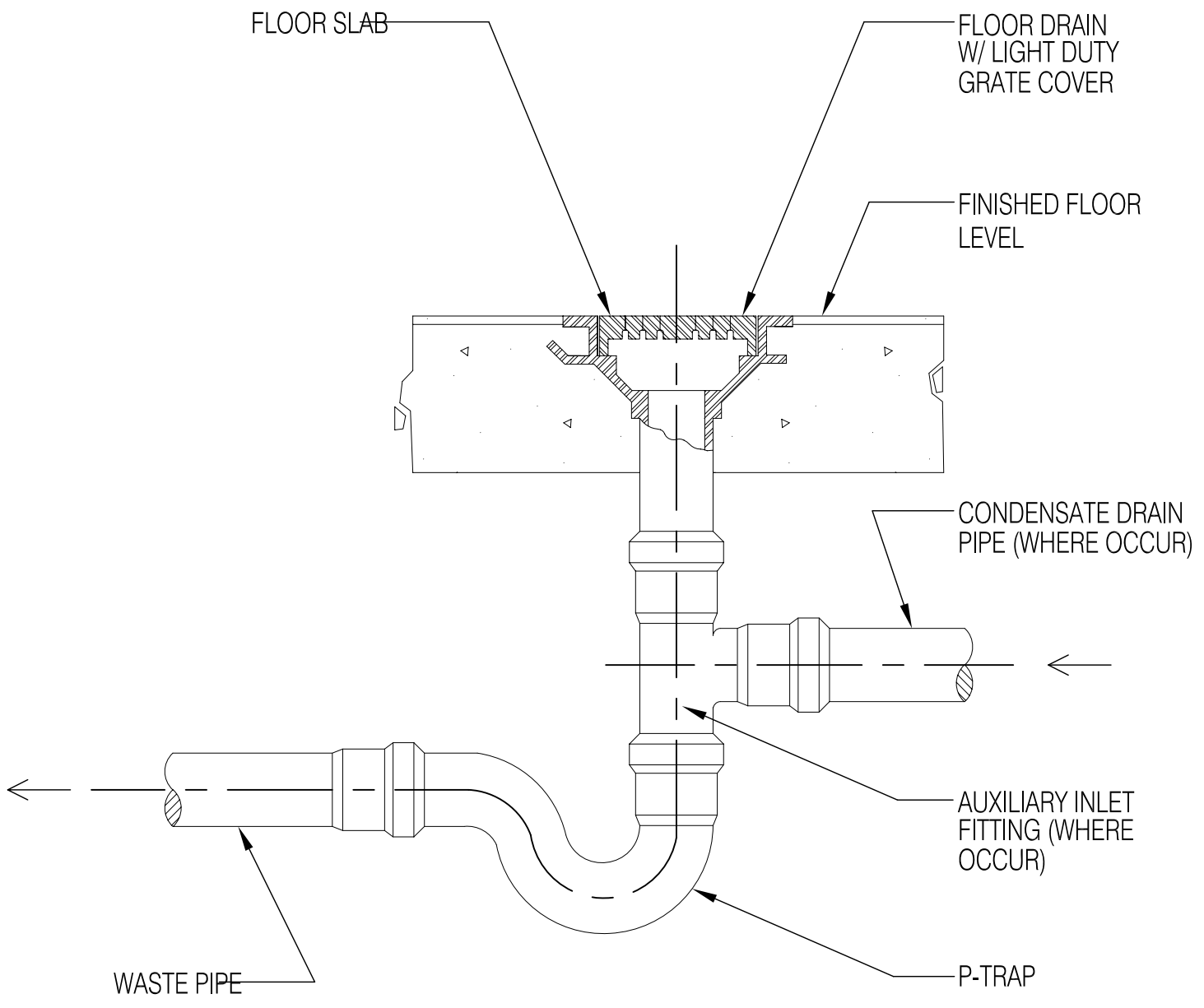


**21** **LAVATORY DETAIL**  
 GP004 NTS

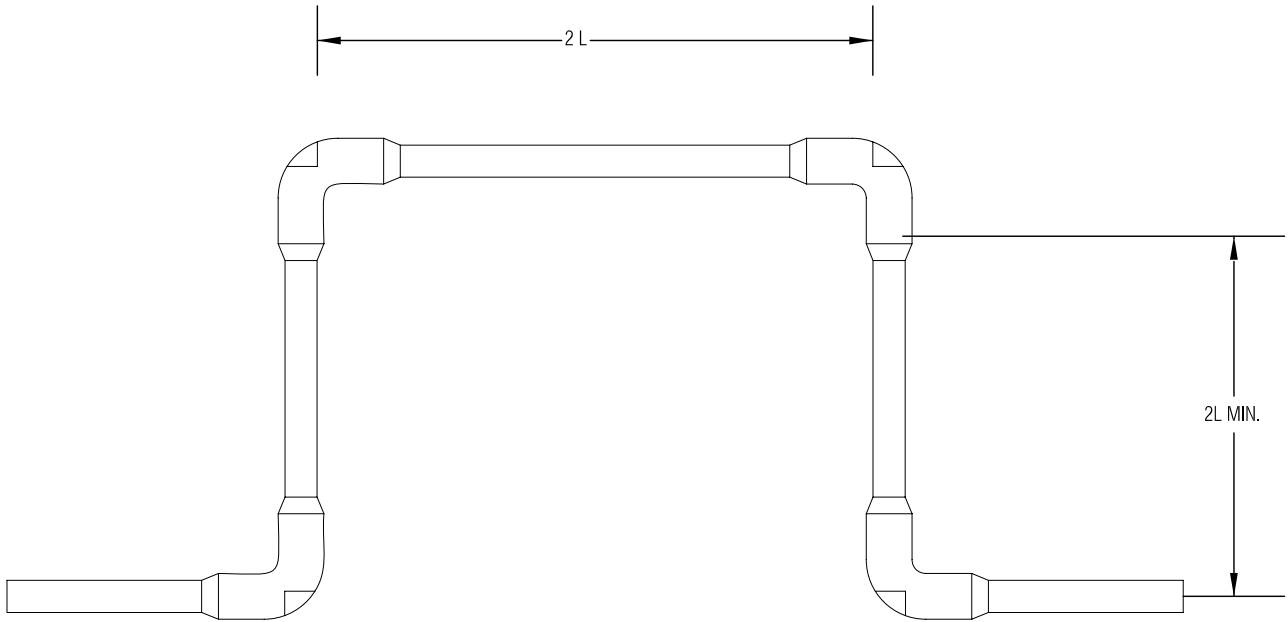


P.D.I. SYMBOL	A SIZE(mm)	B (mm)	C (mm)
A	20	100	75
B	25	125	75

**8** **WATER HAMMER ARRESTOR DETAIL**  
 GP003 N. T. S.



**5** **FLOOR DRAIN DETAIL**  
 GP003 N.T.S.



## EXPANSION LOOP

COPPER TUBE OD (IN.)	LENGTH-L (INCHES) FOR TRAVEL OF								
	1/2"	1"	1 1/2"	2"	2 1/2"	3"	4"	5"	6"
7/8	10	15	19	22	25	27	30	38	38
1 1/8	11	16	20	24	27	29	33	42	42
1 3/8	11	17	21	26	29	32	36	47	47
1 5/8	12	18	23	28	31	35	39	46	51
2 1/8	14	20	25	31	34	38	44	51	57
2 5/8	16	22	27	32	37	42	47	56	62
3 1/8	18	24	30	34	39	45	53	60	67
4 1/8	20	28	34	39	44	48	58	66	75
5 1/8	22	31	39	44	49	54	62	70	78
6 1/8	24	34	44	48	54	59	68	76	83

O.D OF TUBE		DISTANCE BETWEEN SUPPORTS FOR COPPER TUBING (M)
(MM)	(INCH)	
16	5/8	1.80
22 - 28	1 1/2 - 1 1/8	2.40
35 - 54	1 3/8 - 2 1/8	3.00
67 - 130	2 5/8 - 5 1/8	3.60
155 - 206	6 1/8 - 8 1/8	4.20

NOMINAL PIPE SIZE		DISTANCE BETWEEN SUPPORTS FOR SCHEDULE 40 PIPE (M) (BLACK CARBON STEEL)
(MM)	(INCH)	
20	3/4 - 1 1/4	1.80
40 - 63	1 1/2 - 2 1/2	2.40
75 - 90	3 - 3 1/2	3.00
100 - 150	4 - 6	3.60
200 - 300	8 - 12	4.20
350 - 600	14 - 24	20

**1** **MAXIMUM SUPPORT DISTANCE**

GP003

N.T.S.